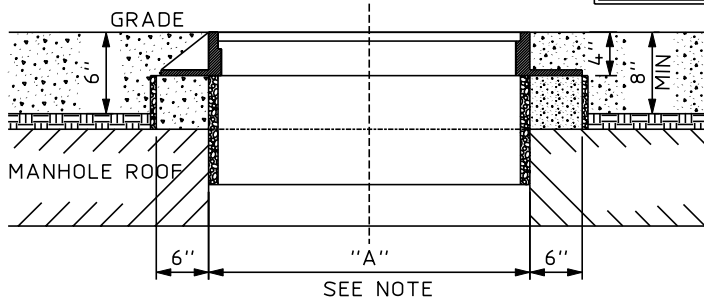
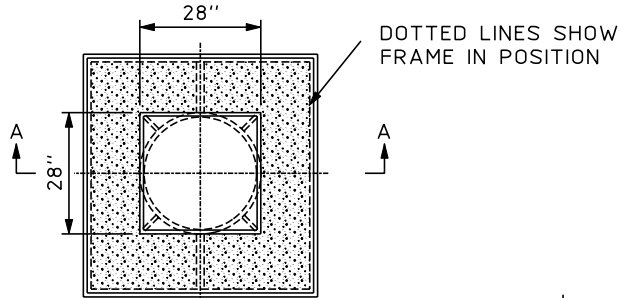
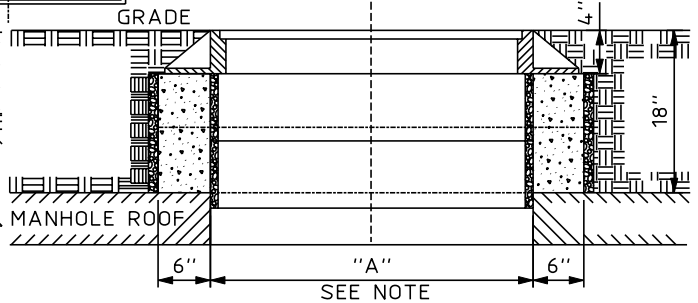


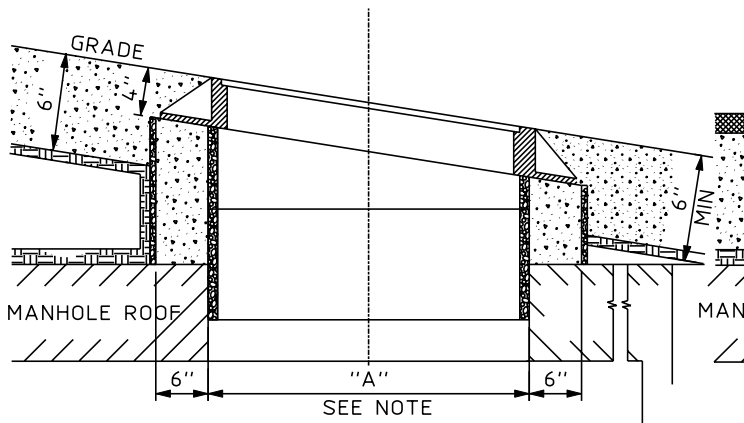
PLAN SHOWING FRAME REMOVED



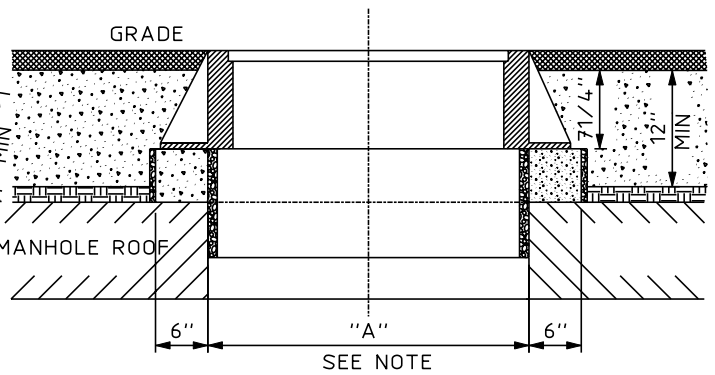
SECTION A-A  
SIDEWALK FRAME-LEVEL GRADE



SECTION A-A  
SIDEWALK FRAME IN LAWN



SECTION A-A  
SIDEWALK FRAME-INCLINED GRADE



SECTION A-A  
ROADWAY FRAME-LEVEL GRADE

NOTES:

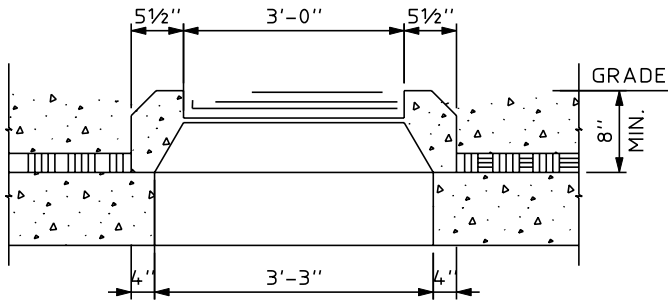
1. FOR ROADWAY FRAME IN INCLINED GRADES USE DIMENSIONS SHOWN FOR ROADWAY FRAME, LEVEL GRADES, AND CONSTRUCTION AS SHOWN FOR SIDEWALK FRAME, INCLINED GRADE
2. DIMENSION "A"  
28" FOR SINGLE COVER & FRAME  
40" FOR DOUBLE COVER & FRAME
3. REMOVE FORMS AFTER SETTING FRAMES AND GRATINGS
4. PAVING OR GRADING OUTSIDE OF HEAVY LINE TO BE FURNISHED BY OTHERS
5. REV B: CHANGED DWG FORMAT

DRAWN: A IPL    DVLPED: JWW    DATE: 2/7/52    REVIEWED: IDY    DATE: 10/3/08    APPRVD: MDW    DATE: 10/10/08    NEXT REVIEW: 11/11    REV: B

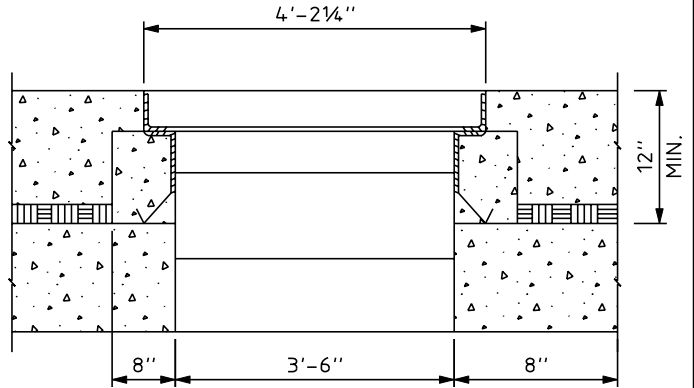


POWER  
DISTRIBUTION  
STANDARDS

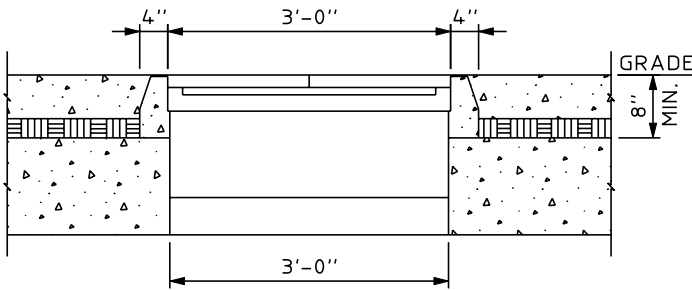
METHOD OF INSTALLING  
MANHOLE FRAME & COVERS



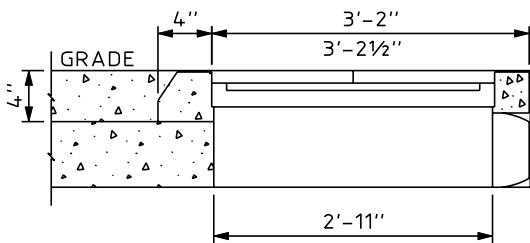
SIDEWALK DOOR GRATING  
FOR ST. LT. TRANSF. MANHOLES  
SEE DWG.'S 2-2-0279



ROADWAY GRATING FRAME



SIDEWALK DOOR GRATING



SIDEWALK DOOR GRATING  
FOR SIDEWALK NTWK. MANHOLES

NOTES:

1. THIS DWG SUPERSEDES DWG OF SAME NUMBER DATED 01-12-82.
2. REV C: CHANGED DWG FORMAT.

DRAWN: AIPL | DVLPED: JWW | DATE: 2/7/52 | REVIEWED: TDY | DATE: 10/3/08 | APPRVD: MDW | DATE: 10/10/08 | NEXT REVIEW: 11/11 | REV: C



POWER  
DISTRIBUTION  
STANDARDS

METHOD OF INSTALLING  
MANHOLE FRAME & COVERS