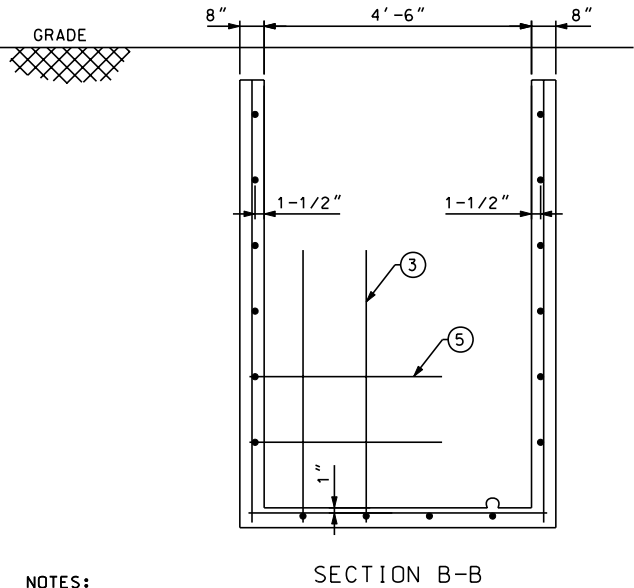
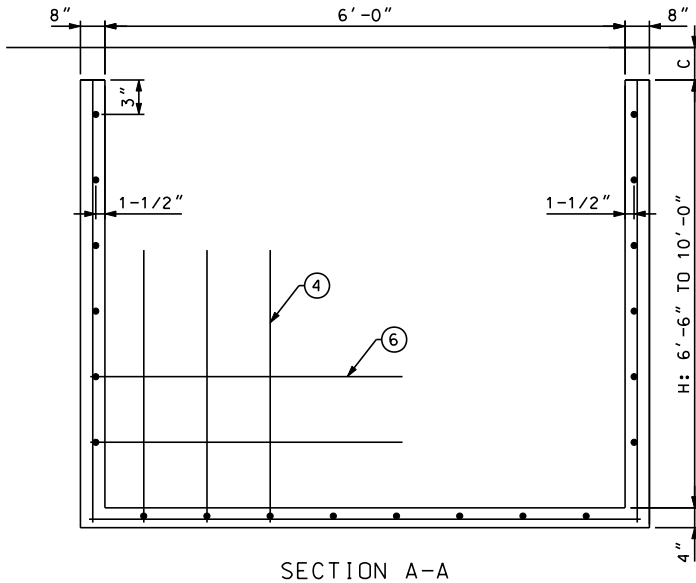
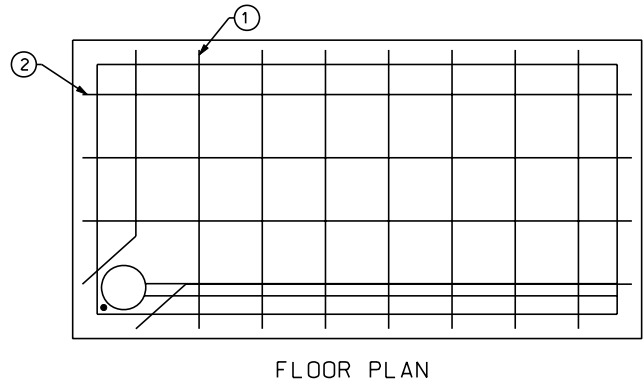
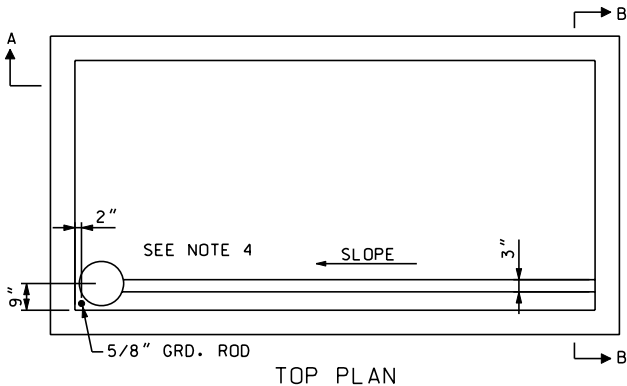


COMPATIBLE UNIT
 DESIGNATION
 MH4506MY

2-2-0709

LOCATION	FLOOR																				WALLS									
STOCK NO.																														
DEPTH = H	6'-6"						7'-0"				8'-0"				9'-0"				10'-0"											
ROD NO.	(1)	(2)	(3)	(4)	(5)	(6)	(3)	(4)	(5)	(6)	(3)	(4)	(5)	(6)	(3)	(4)	(5)	(6)	(3)	(4)	(5)									
QUANTITY	5	4	8	8	10	10	8	8	10	10	8	8	12	12	8	8	16	16	8	8	18									
SIZE	#3	#3	#4	#4	#4	#4	#4	#4	#4	#4	#4	#4	#4	#4	#4	#4	#4	#4	#4	#4	#4									
C/C	18"	18"	18"	18"	18"	18"	15"	18"	18"	18"	18"	18"	18"	18"	18"	18"	15"	15"	18"	18"	15"									
LENGTH	5'-6"	7'-0"	6'-9"	6'-9"	5'-6"	7'-0"	7'-3"	7'-3"	5'-6"	7'-0"	8'-3"	8'-3"	5'-6"	7'-0"	9'-3"	9'-3"	5'-6"	7'-0"	10'-3"	10'-3"	5'-6"									



NOTES:

- C = RDWY. ----- 21"
- = FLUSH SDWK. ----- 6"
- = RECESSED SDWK. --- 18"
- 2. JOB INSTRUCTIONS WILL DIRECT WHICH ROOF IS TO BE USED.
- 3. ASSEMBLY STOCK # 9700-2175
- 4. INSTALL SUMP PUMP PIT, GROUND ROD, AND GUTTER IN MANHOLE PER DWG'S 4-2-1060 AND 4-2-1096. FOR TRANSFORMER MANHOLES, INSTALL SUMP PUMP ON L.V. END.
- 5. THIS DWG SUPERSEDES DWG 2-2-0685 & 0686. DATED 9-4-59
- 6. REV. A: CHANGED DWG FORMAT; CHANGED STOCK NO'S PER WMIS.

CONCRETE SCHEDULE	
FLOOR	13 CU. FT.
WALLS	16 CU. FT. PER VERT FT.

DRAWN: LKD | DVLPEP: CEG | DATE: 1/13/78 | REVIEWED: IDY | DATE: 10/2/08 | APPRVD: MDW | DATE: 10/9/08 | NEXT REVIEW: 11/11 | REV: A



DISTRIBUTION
 STANDARDS

4'-6" x 6'-0"
 ROADWAY MANHOLE