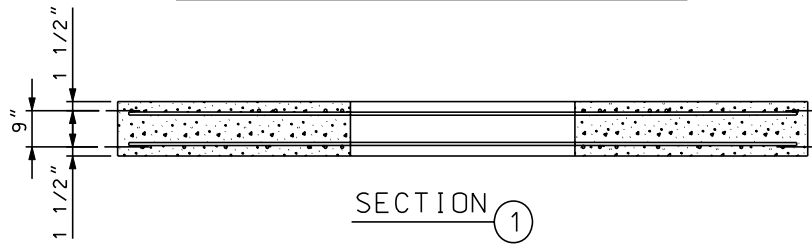
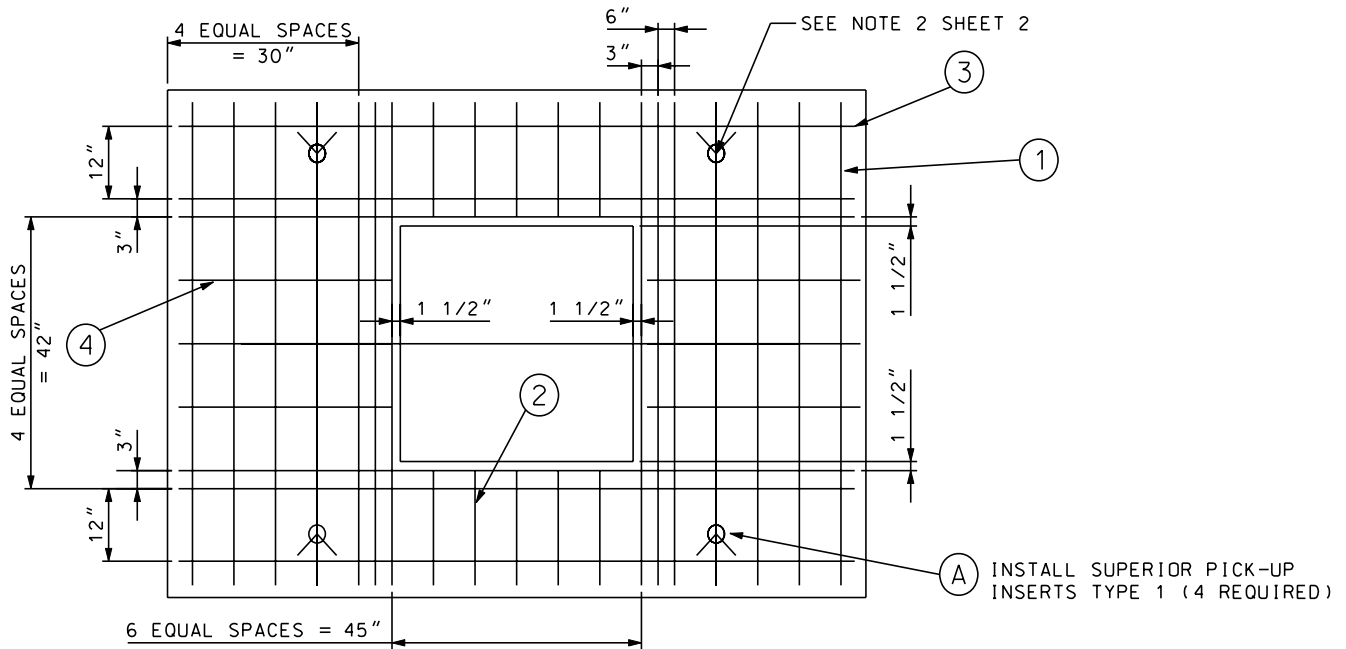


PLAN OF THE TOP REINFORCING



SECTION 1



PLAN OF THE BOTTOM REINFORCING

DRAWN: DPJ | DVLPED: CER | DATE: 02-10-82 | REVIEWED: TWM | DATE: 10-15-08 | APPRVD: MDW | DATE: 10-29-08 | NEXT REVIEW: 10-11 | REV: A



POWER DISTRIBUTION STANDARDS

PRECAST ROADWAY ROOF FOR 6' x 10' MANHOLE

ROD NO	1	2	3	4	5	6	7
QUANTITY	14	10	6	6	10	6	4
SIZE	#6	#6	#4	#4	#3	#3	#3
LENGTH	1'-7"	6'-8"	10'-2"	3'-4"	6'-8"	10'-2"	3'-4"

FRAME NOTES:

- 1: TOTAL WEIGHT 7400LBS
- 2: TOTAL CONCRETE 1.8 CU.YD.
- 3: INSTALL SUPERIOR SINGLE PICK UP INSERTS TYPE 1.
4 REQUIRED PER SLAB.
- 4: CONCRETE MIX 6 BAG MIX. 3500PSI AT 28 DAYS.
- 5: STOCK NUMBER 9721-0566 SHALL APPEAR ON THE CASTING.
- 6: ROOF TO BE INSTALLED WITH 12" MINIMUM COVER.
- 7: THE REBAR SHALL BE EPOXY LOATED AND INSTALLED AS SHOWN.

COMPATIBLE UNIT FOR PRECAST ROADWAY ROOF 7'-0"x10'-6" MANHOLE			
QUANTITY	STOCK #	DESCRIPTION	
110'	P000-0026	REBAR SIZE #6	
81'	P000-0024	REBAR SIZE #4	
141'	P000-0023	REBAR SIZE #3	
1.8	P000-0016	CONCRETE READY MIX	CU. YD
4	9725-0818	SINGLE PICK UP INSERT CONCRETE TYPE 1	
	DESIGNATION	DESCRIPTION	STOCK NO.
	MHRR0610RMY	MH RECESSED ROOF CONC 6X10 RDWY ML CO	9721-0566

NOTES

REV A: CHANGED DWG FORMAT. CHANGED STOCK NO'S PER WMIS.

DRAWN: DPJ | DVL PED: CER | DATE: 02-10-82 | REVIEWED: TWM | DATE: 10-15-08 | APPRVD: MDW | DATE: 10-29-08 | NEXT REVIEW: 10-11 | REV: A



POWER
DISTRIBUTION
STANDARDS

PRECAST ROADWAY ROOF
FOR 6' x 10' MANHOLE