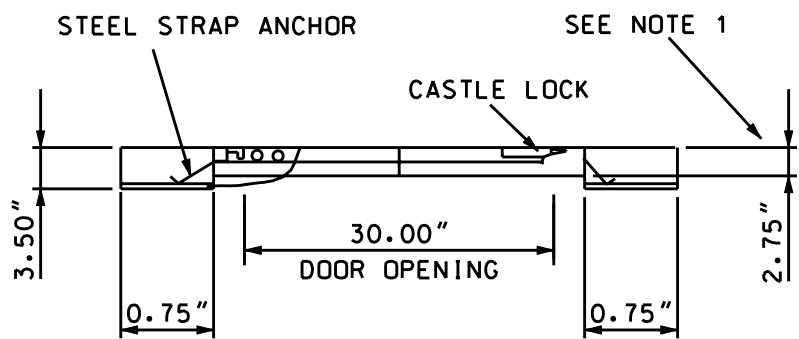
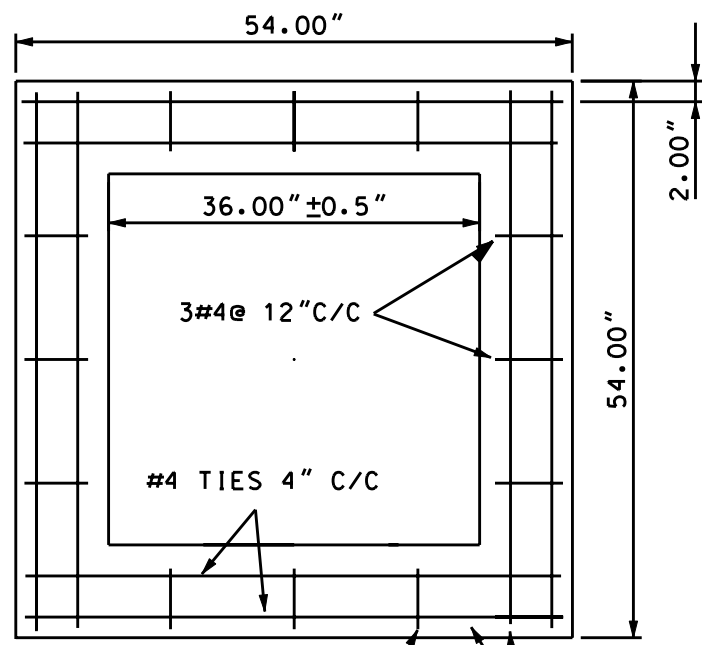


2-2-1129.1.1

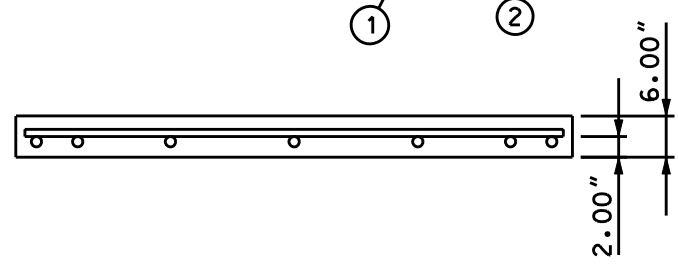


BILCO TYPE DOOR
 STOCK NO. 9721-0676
 (SEE NOTE 5)

CONCRETE SLAB ASSEMBLY
 STOCK NO. 9721-0684
 COMPATIBLE UNIT MHR3535SMB



REINFORCING SCHEDULE		
ROD NO.	1	2
QUANTITY	12	8
SIZE	#4	#4
LENGTH	6"	4'-4"



NOTES:

- ONE COAT OF BITUMINOUS COATING ON SURFACE THAT WILL COME IN CONTACT WITH CONCRETE.
- OUTSIDE OF MANHOLE UNDER THE FRAME REQUIRES 6" OF COMPACTED STONE.
- ULTIMATE STRENGTH OF CONCRETE - 4000 PSI
- REINFORCING STEEL ASTM 615 GRADE 60.
- DOOR SHALL BE DESIGNED FOR A LIVE LOAD OF 300 LB / SQ. FT PER NESC GUIDELINES.
- REV A: CHANGED DWG FORMAT AND CHANGED STOCK NO'S PER WMIS.

DRAWN: AVI | DVLPED: RAC | DATE: 05-03-78 | REVIEWED: CEG DATE: 07-01-04 | APPRVD: MDW DATE: 01-31-08 | NEXT REVIEW: 01-11 | REV: A



POWER
 DISTRIBUTION
 STANDARDS

BILCO DOOR SDWK ROOF FOR
 3.5' x 3.5' URD RECTANGULAR CASING