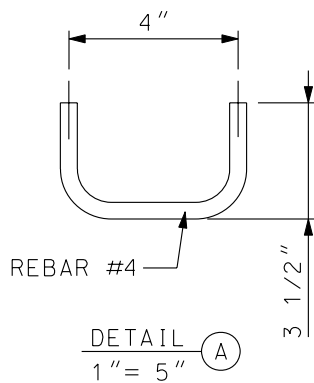
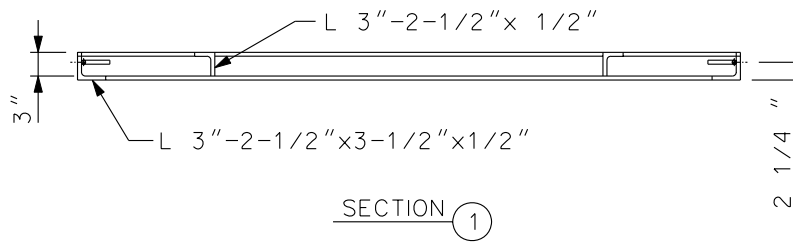


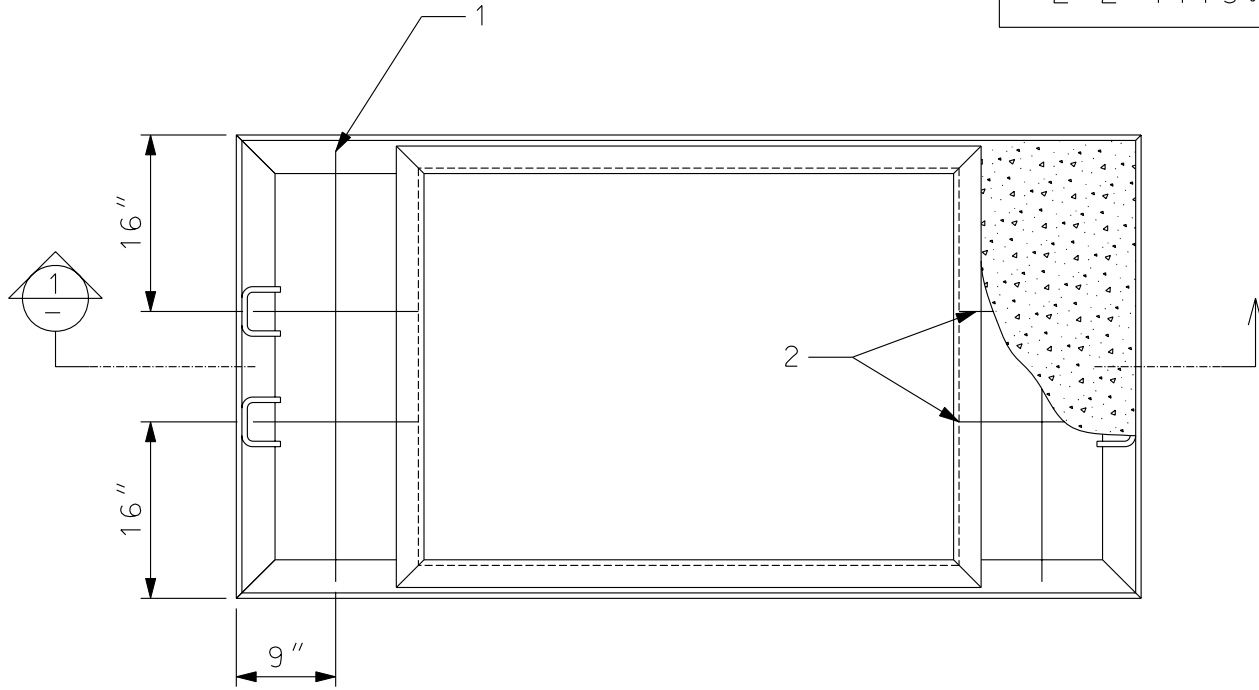
PLAN OF THE FRAME



NOTE:

1. FRAME NOTES: SEE PAGE 3.
2. REV A: CHANGED DWG FORMAT.





PLAN OF THE SLAB : MHR57DG4SMY



SECTION 1

ROD NO	1	2
QUANTITY	2	4
SIZE	#3	#3
LENGTH	3' -3"	1' -3"

SIDEWALK SLAB NOTES:

- 1: THE REBAR SHALL BE EPOXY AND INSTALLED INTO THE FRAME AS SHOWN.
- 2: CONCRETE SHALL THEN BE TROWL FINISHED FLUSH WITH THE TOP EDGE FRAME.
- 3: SDWK SLAB WEIGHT = 877 LBS
- 4: 3 CU.F.T OF 4000PSI CONCRETE
- 5: REV A: CHANGED DWG FORMAT.



FRAME NOTES:

- 1: MITER AND WELD ALL CORNERS 90 GRIND OFF ANY HIGH SPOTS ON THE FLANGE SURFACES TO ALLOW PROPER SEATING OF FRAME.
- 2: FINISHED FRAME IS TO HAVE ALL CORNERS ON THE SAME PLANE AND IS NOT TO BE TWISTED OR BENT
- 3: FRAME TO BE GALVANIZED AFTER SHOP WORK AND SHALL CONFORM TO A.S.T.M SPECIFICATION A-123 WITH LATEST REVISIONS THEREOF.
- 4: THIS FRAME SHALL BE LIMITED TO SIDEWALK USE WITH MAXIMUM CLEAR SPAN BETWEEN SUPPORTS OF 6'-4".
- 5: FRAME WEIGHT = 405 LBS
- 6: FOR DETAILS OF 3'-0" x 4'-0" DOOR GRATING SEE DWG 4-2-0279
- 7: REV A: CHANGED DWG FORMAT. CHANGED STOCK NO'S PER WMIS.

COMPATIBLE UNIT				
3'-6" x 6'-10" SIDEWALK SLAB WITH 4' DOOR GRATING				
QUANTITY	ITEM	STOCK #	DESCRIPTION	
20'-8"		9713-0406	CORNER L 3-1/2"x3-1/2"x1/2"H	
15'-0"		9713-0669	CORNER L 3"x2-1/2"x1/2"H	
3'-10"		9700-0024	REBAR SIZE #4	
11'-6"		9700-0023	REBAR SIZE #3	
DESCRIPTION				
MHR57DG4SMY			SLAB 7x1.5 SDWK ROOF	
MHR5735GSMY			STOCK NO. 9721-0671	

DRAWN:LKD	DVLPED:CER	DATE:02-10-82	REVIEWED:TDY DATE:1/22/09	APPRVD:MDW	DATE:1/26/09	NEXT REVIEW:1/12	REV:A
-----------	------------	---------------	---------------------------	------------	--------------	------------------	-------



POWER
DISTRIBUTION
STANDARDS

3'-6" x 6'-10" SIDEWALK ROOF
SLAB WITH 4' DOOR GRATING

WELDING SPECIFICATIONS

- 1: ALL STRUCTURAL STEEL SHALL CONFORM TO ASTM A36.
- 2: ALL STEEL IS TO BE WELDED IN ACCORDANCE WITH AWS D1.1 USING EITHER THE SMAW PROCESS (AWS SPEC. A5.1) OR THE FCAW PROCESS (AWS SPEC. A5.20 OR A5.29).
- 3: ALL WELDING IS TO BE PERFORMED ACCORDING TO WELDING PROCEDURE SPECIFICATIONS PFAB200601, PFAB200602 AND PFAB200603.
- 4: ALL WELDERS ARE TO BE QUALIFIED ACCORDING TO AWS D1.1.
- 5: ALL WELDER CERTIFICATION RECORDS ARE TO BE DOCUMENTED, MAINTAINED AND AVAILABLE FOR INSPECTION/VERIFICATION.

DRAWN:LKD	DVLPED:CER	DATE:02-10-82	REVIEWED:TQY DATE:1/22/09	APPRVD:MDW	DATE:1/26/09	NEXT REVIEW:1/12	REV:A
-----------	------------	---------------	---------------------------	------------	--------------	------------------	-------



POWER
DISTRIBUTION
STANDARDS

3'-6" x 6'-10" SIDEWALK ROOF
SLAB WITH 4' DOOR GRATING