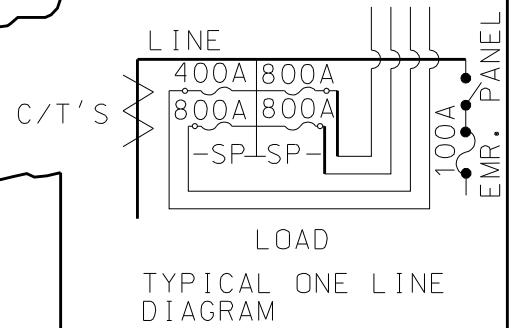
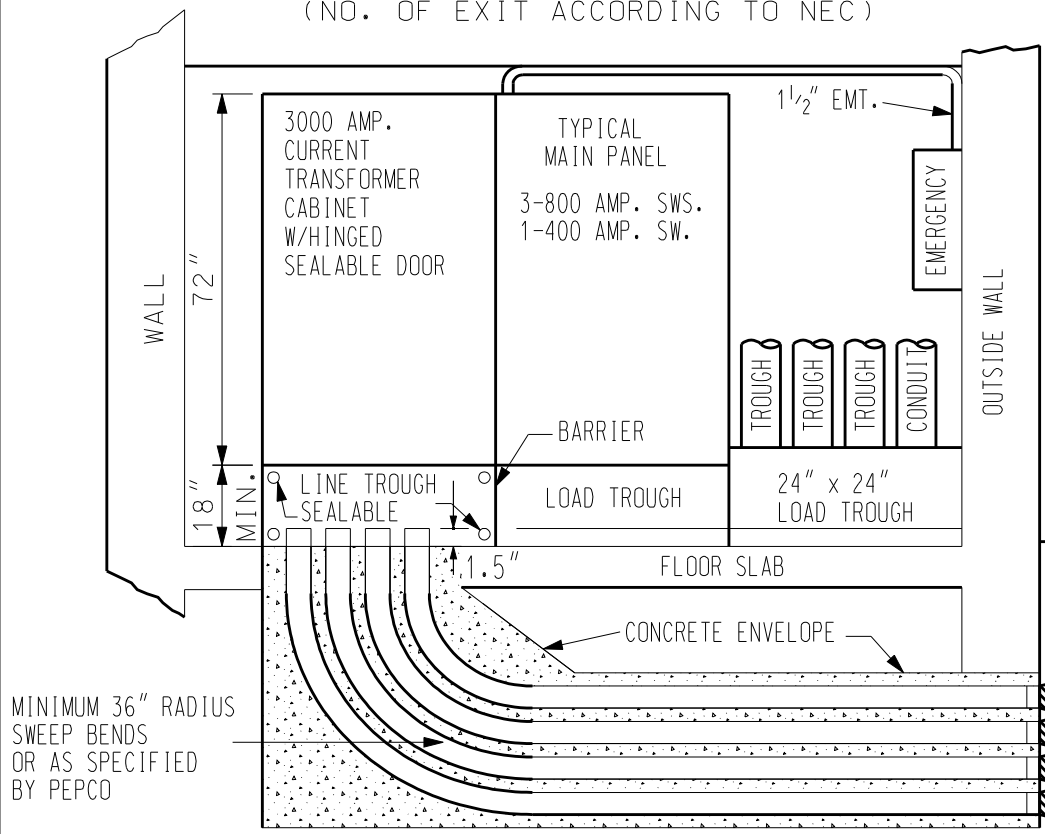


ELECTRIC ROOM PLAN VIEW
(SCALE DRAWING)
(NO. OF EXIT ACCORDING TO NEC)

A-DIMENSION FROM CORNER OF BUILDING TO C/L OF DUCT BANK
CONDUIT TO BE MOUNTED FLUSH WITH CUSTOMER'S OUTSIDE BUILDING WALL.



B-NORMALLY 36" MIN. IF CONDUIT IS TO ENTER MANHOLE, DUCT DEPTH SHALL BE ADJUSTED TO ENTER MANHOLE 52" BELOW CEILING.



ELECTRIC ROOM PROFILE VIEW

MINIMUM 36" RADIUS SWEEP BENDS OR AS SPECIFIED BY PEPCO

DUCTS SHALL TERMINATE IN COUPLINGS AND PLUGS AND CONTAIN PULL-IN-CORDS.

REFERENCES			ITEMS COVERED			NOTES		
STD. DRWGS. 7-5-606 7-5-694 7-5-695			TYPICAL 3000 AMPERE SWITCHGEAR (SERVICE ENTRANCE) DRAWING TO BE PREPARED BY CUSTOMER			IF DUCTS EXTEND THROUGH DISTURBED EARTH, SUPPORT BEAM SHALL BE PROVIDED SEE SHEET 2 FOR DETAILS OF PROVIDING CONNECTION AT BUILDING FOR SUPPORT BEAM. SEE NOTES ON SHEET 1.		

REV.	CHANGE	APP'D	TITLE	SERVICE CONDUIT	PREP.	DATE	07/17/84	DESIGN NO.
			CUSTOMER DESIGN			BY	W.R.S.	CD.002.01
					APPROVED			SHT. NO. 1 OF 1
					U.D.	S.G.	L.K.	