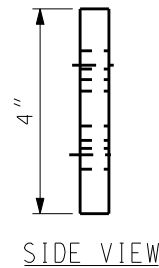
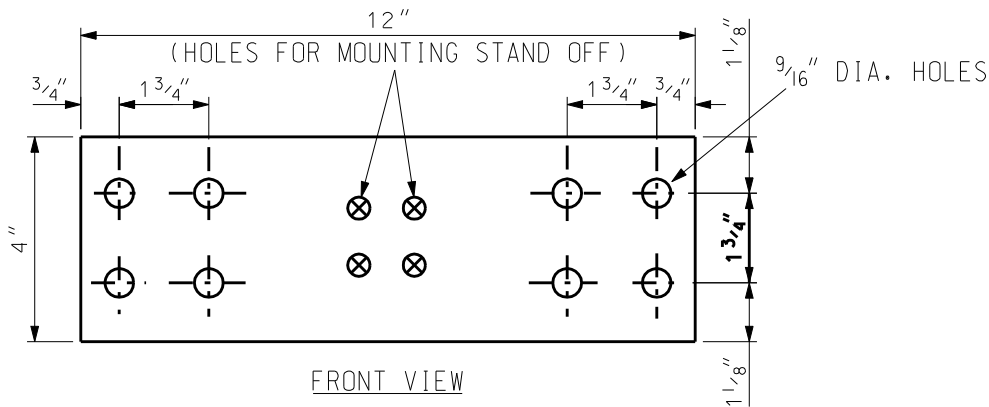
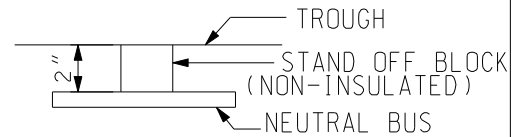


NEUTRAL BUS TO BE MADE OF EITHER TIN COATED ALUMINUM OR COPPER
 IF ALUMINUM $X = \frac{1}{2}$ "
 IF COPPER $X = \frac{1}{4}$ "



NEUTRAL BUS SHOULD BE MOUNTED IN TROUGH WHEN TWO TO SIX METERS ARE SUPPLIED FROM A TROUGH.

FOUR SETS OF DRILLINGS ARE REQUIRED FOR PEPCO USE. ADDITIONAL SETS OF DRILLINGS SHOULD BE ADDED FOR OTHER GROUNDS TERMINATING AT NEUTRAL BLOCK BY ELECTRICIAN



NEUTRAL BUS SHOULD BE SECURED TO TROUGH BY 2 INCH NON-INSULATED STAND OFF BLOCK TO ALLOW SPACE FOR BOLTS FOR COMPRESSION LUGS

REFERENCES		ITEMS COVERED		NOTES	
		DIMENSIONS & MOUNTING FOR NEUTRAL BUS IN TROUGH FOR MULTIPLE METERING			

REV.	CHANGE	APP'D	TITLE	CABLE TERMINATIONS	PREP.	DATE	08/13/86	DESIGN NO.
			CUSTOMER DESIGN			BY	D.J.D.	CD.004.01
					APPROVED			SHT. NO. 1 OF 1
					J.D.S.G.L.K			