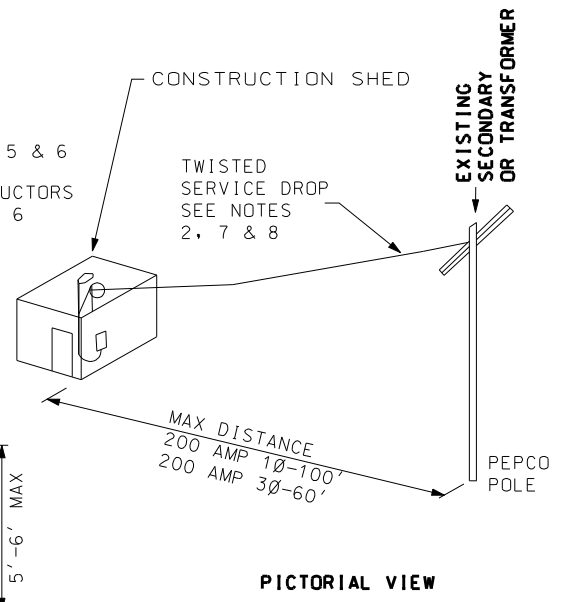
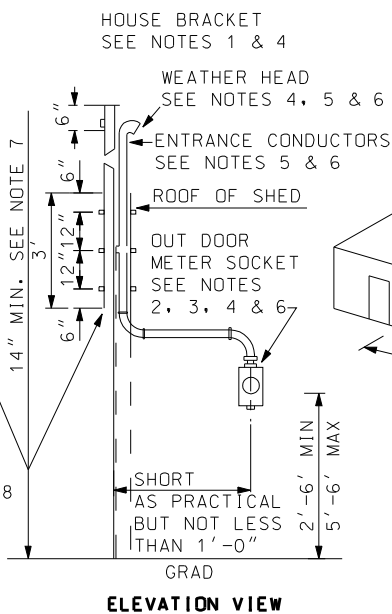
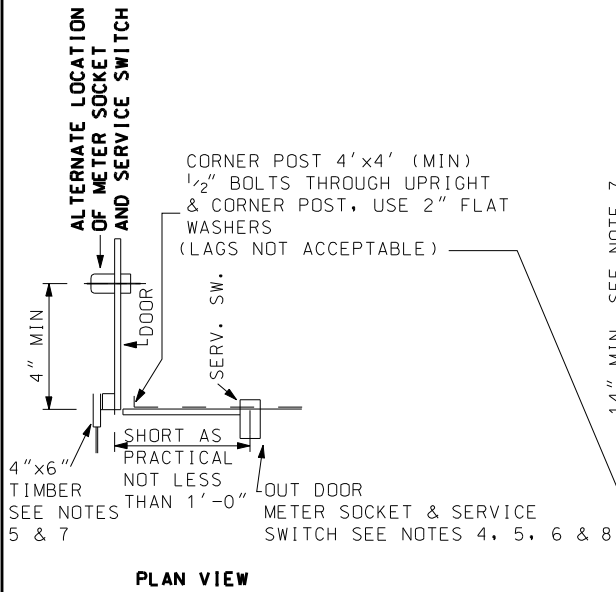
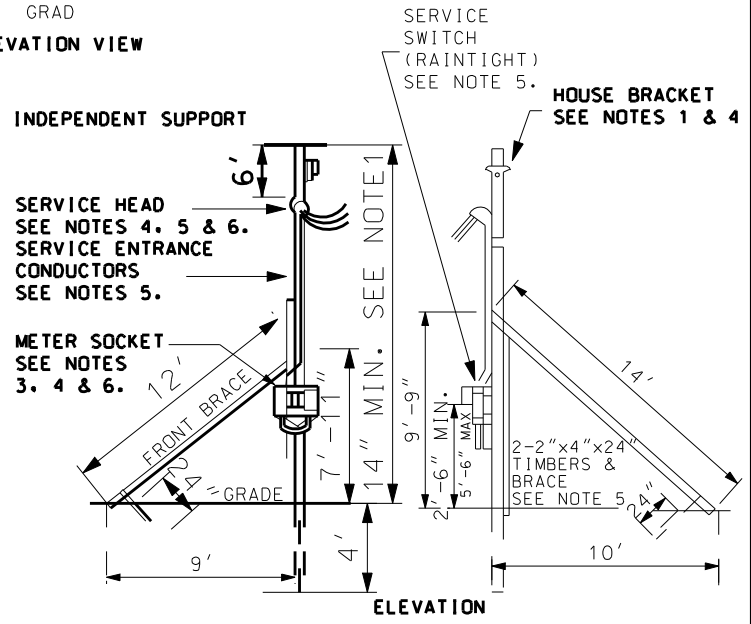
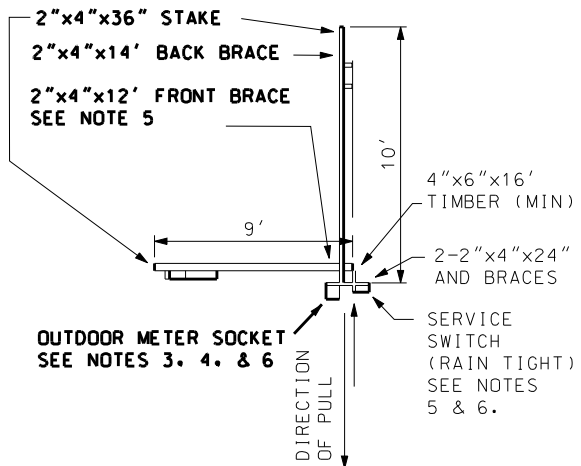


TEMPORARY OVERHEAD SERVICE TO CONSTRUCTION SHED



TEMPORARY OVERHEAD SERVICE TO INDEPENDENT SUPPORT



- NOTES:** OVERHEAD TEMPORARY SERVICE: ALL TEMPORARY FACILITIES SHOULD BE ON PRIVATE PROPERTY.
1. PEPCO TO FURNISH AND INSTALL HOUSE BRACKET.
  2. PEPCO TO FURNISH AND INSTALL SERVICE DROP IN ALL CASES
  3. CUSTOMER TO INSTALL METER IN ALL CASES.
  4. PEPCO WILL MAKE ALL CABLE CONNECTIONS IN THE METER SOCKET AND AT THE SERVICE RACK.

5. CUSTOMER TO FURNISH AND INSTALL UPRIGHT, BRACING SERVICE SWITCH, S.E.C. OR RACEWAY AND CABLE, AND WEATHERHEAD.
6. A MINIMUM OF 24 INCHES OF S.E.C. OR CABLE SLACK MUST BE LEFT AT THE METER SOCKET AND WEATHERHEAD FOR MAKING CONNECTIONS.
7. CUSTOMER TIMBER UPRIGHT MUST BE OF SUFFICIENT HEIGHT TO PROVIDE MINIMUM CLEARANCE FOR SERVICE DROP OF 20 FEET ABOVE PUBLIC STREET OR ROADWAY 15 FEET ABOVE SIDEWALK OR DRIVEWAY 12 FEET ABOVE PRIVATE PROPERTY
8. SERVICE TO BE - 10-3 WIRE. 120/240 OR 120/208 VOLTS FOR 100 OR 200 AMP SWITCH. 30-4 WIRE. 120/208 VOLTS FOR UP TO 200 AMP SWITCH.

REFERENCES
PEPCO'S TEMPORARY OVERHEAD AND UNDERGROUND ELECTRIC SERVICE PAMPHLET

ITEMS COVERED
PROPOSED OVERHEAD AND UNDERGROUND TEMPORARY SERVICE CONNECTION FROM EXISTING SECONDARY OR TRANSFORMER FOR 200 AMPERE (MAX) SINGLE PHASE 200 AMPERE (MAX) THREE PHASE

NOTES
SERVICE MUST BE INSPECTED BY LOCAL JURISDICTION BEFORE PEPCO WILL ENERGIZE.

REV.	CHANGE	APP'D	TITLE	TEMPORARY SERVICE	PREP.	DATE	11/26/84	DESIGN NO.
			CUSTOMER DESIGN			BY	S. Golden	CD.009.01
					APPROVED			SHT. NO. 1 OF 2
					J.D.S.G.L.K			