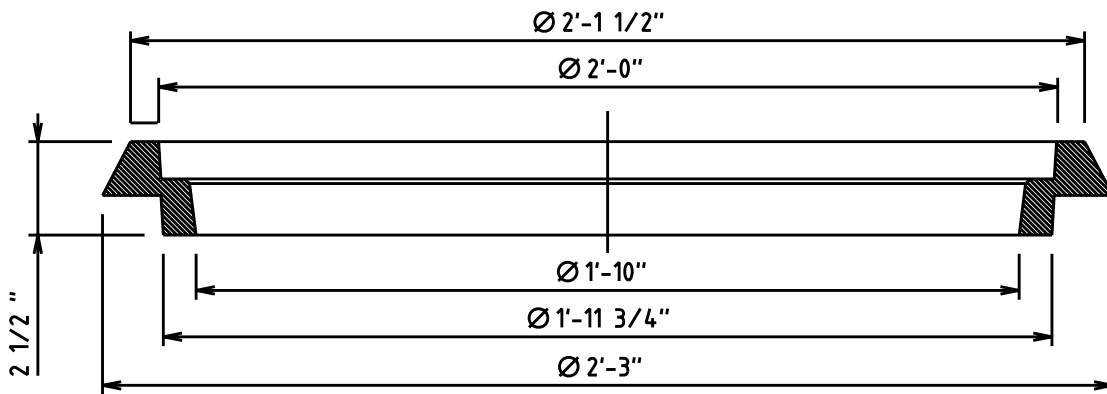


PLAN VIEW



SECTION



NOTES: SEE PAGE 2

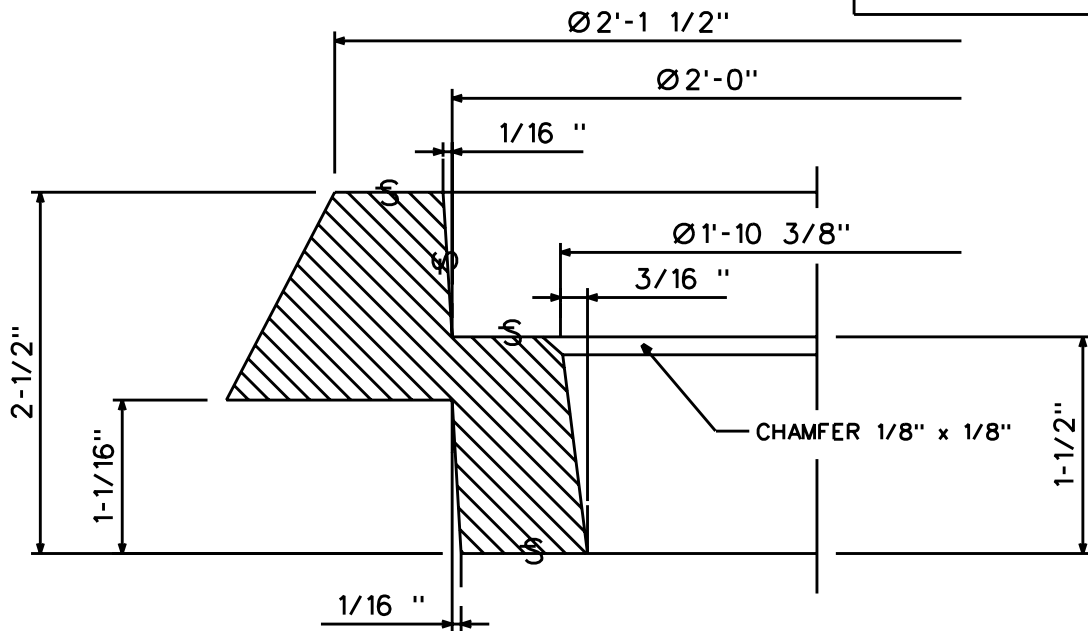
DRAWN: AVI	DVLPEP: JR	DATE: 04-11-02	REVIEWED: TWM DATE: 9/8/04	APPRVD: MDW DATE: 02-20-08	NEXT REVIEW: 02-11	REV: A
------------	------------	----------------	----------------------------	----------------------------	--------------------	--------



POWER DISTRIBUTION STANDARDS

24" HANDHOLE 1-1/2" ADJUSTING RING

2-2-0419.2.2



SECTION 2/1

NOTES

- 1: ALL CASTING SHALL CONFORM TO STANDARD SPECIFICATIONS FOR GRAY IRON CASTINGS A.S.T.M. "A-48" LATEST REVISIONS CLASS 35.
- 2: STOCK NO. 9721-0616 SHALL APPEAR ON THE CASTING. APPROXIMATE WEIGHT 76 LBS.
- 3: S MACHINE FINISHED.
- 4: EACH CASTING SHALL BE IDENTIFIED WITH THE MANUFACTURER'S NAME OR LOGO
- 5: CASTINGS SHALL BE FREE FROM SAND OR BLOW HOLES AND SHARP EDGES.
- 6: WITH EXCEPTION ONLY TO ANY NOTED TOLERANCES, NO DIMENSION SHALL EXCEED $\pm 1/16"$ / FT.
- 7: SEE DWG 4-2-0426 FOR 24" HH COVER FRAME ROAWAY TYPE.
- 8: SEE DWG 4-2-0424 FOR 24" HH COVER ROAWAY TYPE.
- 9: WORN OPENINGS ON MANHOLES LARGER THAN THE 24" SHOULD BE REPLACED WITH A 28" COVER.
- 10: REV: A CHANGE DWG FORMAT AND STOCK No's FOR WMIS.

COMPATIBLE UNIT 24" HANDHOLE ADJUSTING RING			
QTY	STOCK*	DESCRIPTION	
1	9721-0616	24" MH COVER 1-1/2" ADJUSTING ROADWAY	EA
DESIGNATION		DESCRIPTION	
MHAR15X24MY		MH CVR ADJ RING 24x1.5" ML CO	

DRAWN: AVI | DVLPEP: JR | DATE: 10/15/03 | REVIEWED: TWM | DATE: 9/8/04 | APPRVD: MDW | DATE: 02-20-08 | NEXT REVIEW: 02-11 | REV: A



POWER
DISTRIBUTION
STANDARDS

24" HANDHOLE 1-1/2" ADJUSTING RING