

TRAFFIC DIRECTION
PERPENDICULAR TO X-X' AXIS

PLAN VIEW

SEE NOTES SHT. 3 :

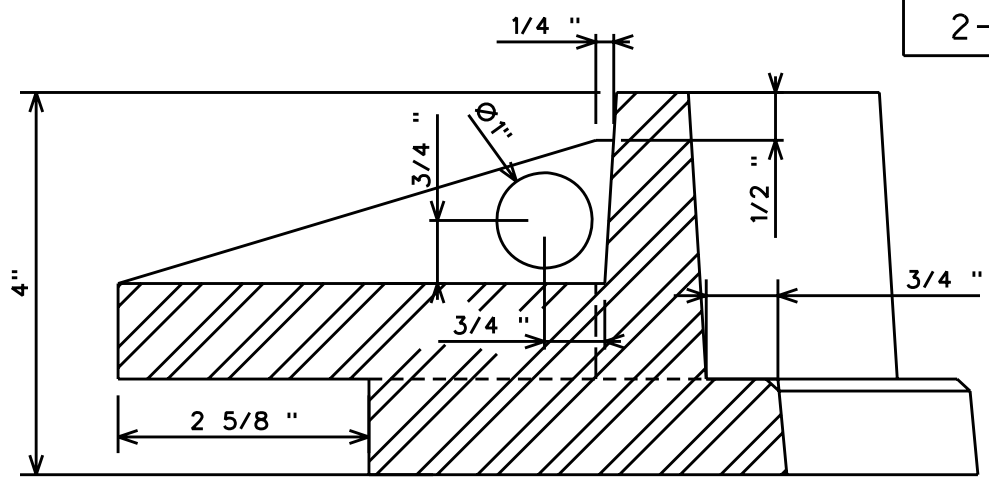
DRAWN: AVI	DVLPED:JR	DATE: 4/5/02	REVIEWED:TWM DATE:9/9/04	APPRVD: MDW DATE: 02-20-08	NEXT REVIEW: 02-11	REV:A
------------	-----------	--------------	--------------------------	----------------------------	--------------------	-------



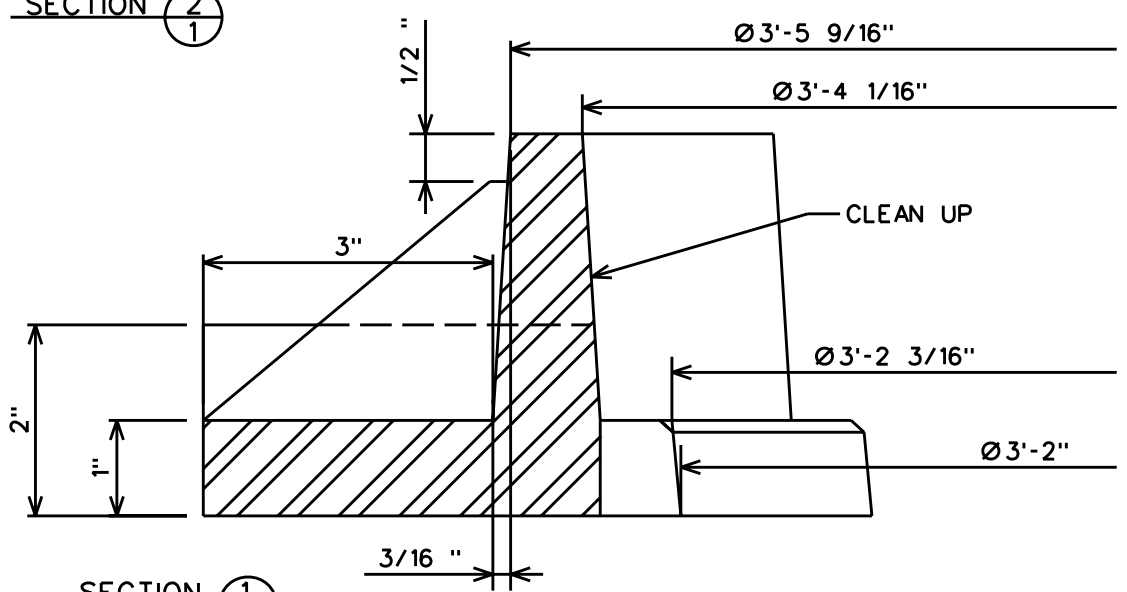
POWER
DISTRIBUTION
STANDARDS

40" MANHOLE COVER FRAME FOR
DOUBLE COVER SIDEWALK TYPE

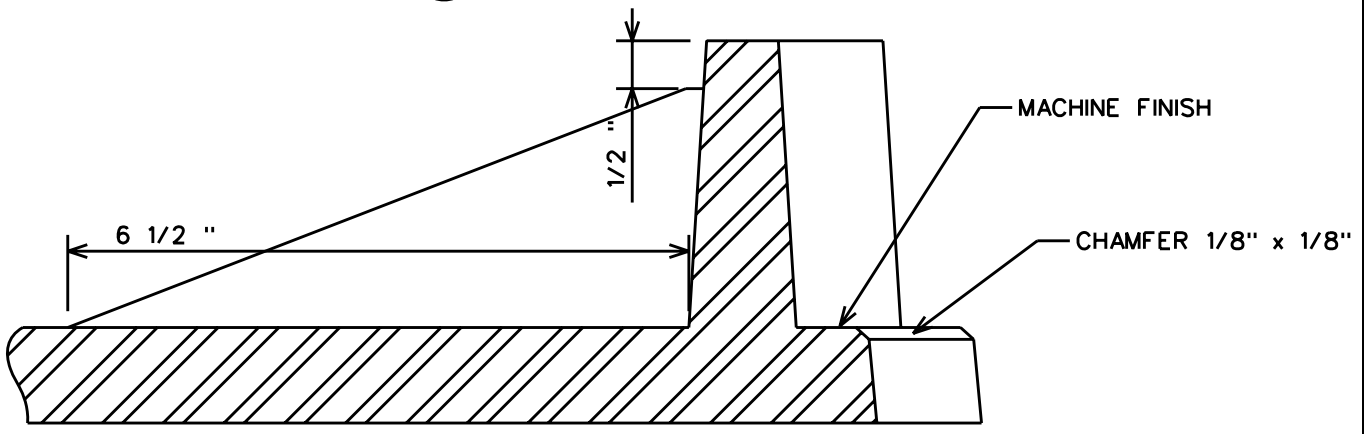
2-2-0423.2.3



SECTION 2/1



SECTION 1/1



SEE NOTES SHT. 3 :

SECTION 3/1

DRAWN: AVI	DVLPED: JR	DATE: 4/5/02	REVIEWED: TWM DATE: 9/9/04	APPRVD: MDW DATE: 02-20-08	NEXT REVIEW: 02-11	REV: A
------------	------------	--------------	----------------------------	----------------------------	--------------------	--------



POWER
DISTRIBUTION
STANDARDS

40" MANHOLE COVER FRAME FOR
DOUBLE COVER SIDEWALK TYPE

NOTES:

- 1: ALL CASTING SHALL CONFORM TO STANDARD SPECIFICATIONS FOR GRAY IRON CASTINGS A.S.T.M. DESIGNATION A-48 CLASS 25 LATEST REVISIONS
- 2: STOCK NO. 9721-0606 SHALL APPEAR ON THE CASTING. APPROXIMATE WEIGHT 377 LBS.
- 3: PLAIN D SHALL NOT BE WARPED 1/4"
- 4: EACH CASTING SHALL BE IDENTIFIED WITH THE MANUFACTURER'S NAME OR LOGO
- 5: CASTINGS SHALL BE FREE FROM SAND OR BLOW HOLES AND SHARP EDGES.
- 6: WITH EXCEPTION ONLY TO ANY NOTED TOLERANCES, NO DIMENSION SHALL EXCEED 1/16 "/FT.
7. REV A. CHANGE DWG. FORMAT & CHANGE STOCK No's FOR WMIS.

COMPATIBLE NUIT 3'-6" X 6'-10" FRAME FOR SIDEWALK MANHOLES			
QTY	STOCK*	DESCRIPTION	
1	9721-0606	FRAME 40" MH COVER DOUBLE ACTING SIDEWALK 52" X 48" X 4" H	
DESIGNATION		DESCRIPTION	STOCK
MHCF28SMY		ROOF SLAB 3'-6"X 6'-10" SDWK	9721-0650

DRAWN:AVI	DVLPED:JR	DATE:04-5-02	REVIEWED:JWM	DATE:9/9/04	APPRVD:MDW	DATE:02-20-08	NEXT REVIEW: 02-11	REV: A
-----------	-----------	--------------	--------------	-------------	------------	---------------	--------------------	--------



POWER
DISTRIBUTION
STANDARDS

40"MANHOLE COVER FRAME FOR DOUBLE
COVER SIDEWALK TYPE