

PLAN VIEW

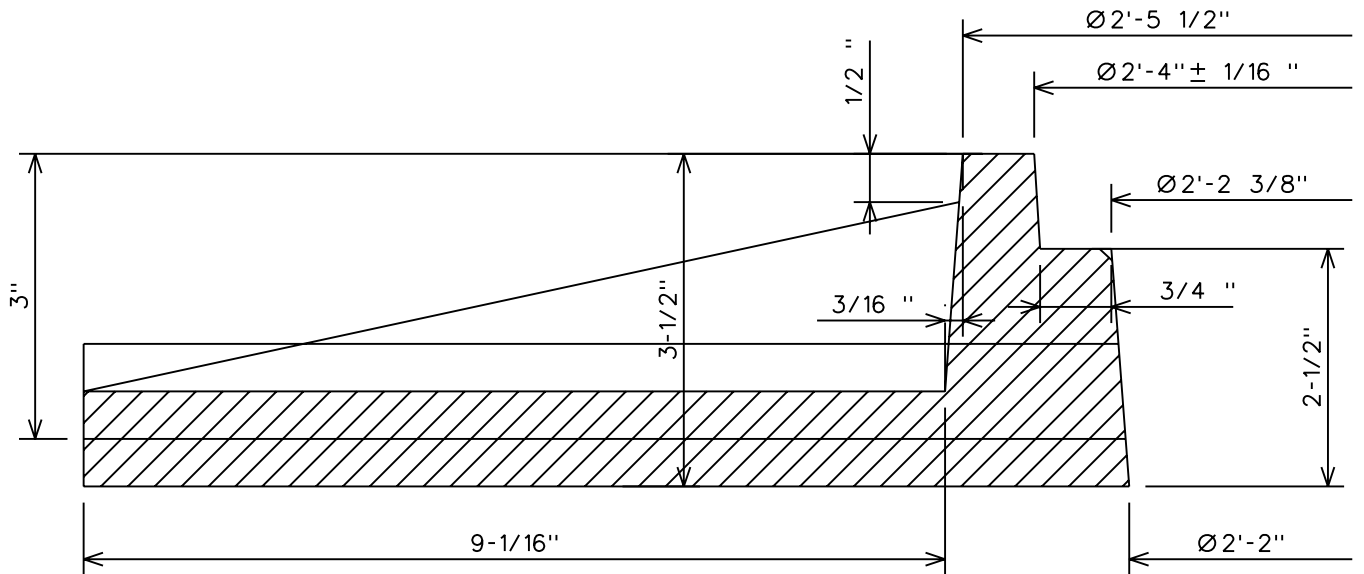
NOTES :
 SEE PAGE 3
 REV E: CHANGED DWG FORMAT.

DRAWN: AVI	DVLPED: CER	DATE: 2-10-82	REVIEWED:TWM DATE: 9/15/04	APPRVD:MDW	DATE: 02-20-08	NEXT REVIEW: 02-11	REV: E
------------	-------------	---------------	----------------------------	------------	----------------	--------------------	--------

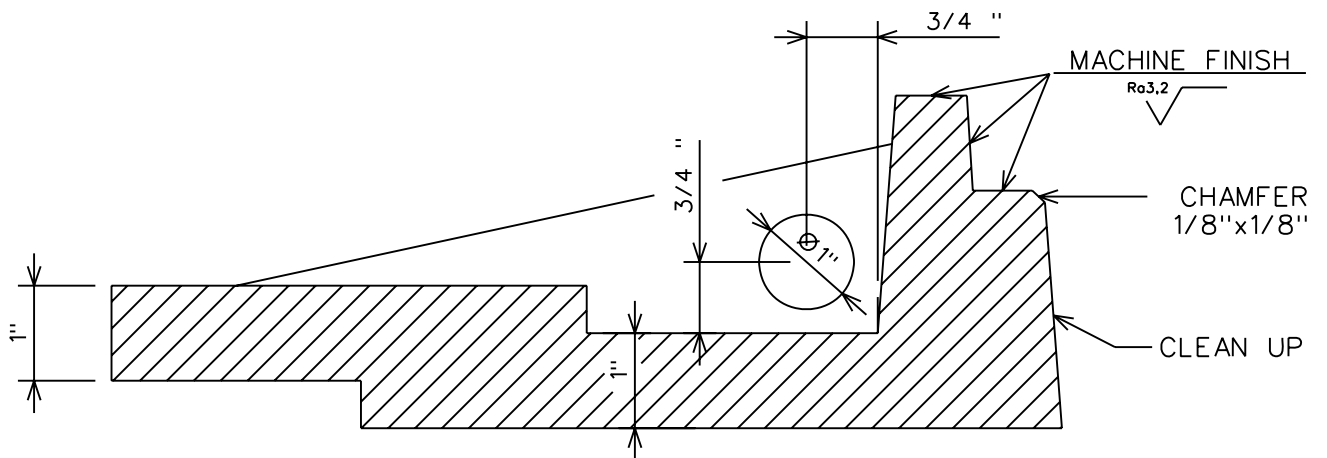


POWER
 DISTRIBUTION
 STANDARDS

28" MANHOLE COVER FRAME FOR
 DOUBLE COVER SIDEWALK TYPE



SECTION $\frac{2}{1}$



SECTION $\frac{1}{1}$

NOTES:
 SEE PAGE 3
 REV E: CHANGED DWG FORMAT.

DRAWN: AVI	DVLPED: CER DATE: 2-10-82	REVIEWED: TWM DATE: 9/15/04	APPRVD: MDW DATE: 02-20-08	NEXT REVIEW: 02-11	REV: E
------------	---------------------------	-----------------------------	----------------------------	--------------------	--------



POWER
 DISTRIBUTION
 STANDARDS

28" MANHOLE COVER FRAME FOR
 DOUBLE COVER SIDEWALK TYPE

NOTES

- 1: ALL CASTING SHALL CONFORM TO STANDARD SPECIFICATIONS FOR GRAY IRON CASTINGS A.S.T.M. DESIGNATION A-48-83 CLASS 35 LATEST REVISIONS.
- 2: STOCK NO. 9721-0610 SHALL APPEAR ON THE CASTING.
APPROXIMATIV WEIGHT 512LBS.
- 3: PLAIN D SHALL NOT BE WARPED $\pm 1/4"$
- 4: EACH CASTING SHALL BE IDENTIFIED WITH THE MANUFACTURER'S NAME OR LOGO
- 5: CASTINGS SHALL BE FREE FROM SAND OR BLOW HOLES AND SHARP EDGES.
- 6: WITH EXCEPTION ONLY TO ANY NOTED TOLERANCES, NO DIMENSION SHALL EXCEED $\pm 1/16"$ / FT.
- 7: CHANGE DWG. FORMAT AND CHANGE STOCK No's FOR WMIS.
- 8: REV E: CHANGE DWG. FORMAT.

COMPATIBLE UNIT 28" MANHOLE COVER FRAME FOR DOUBLE COVER SIDEWALK TYPE			
QTY	STOCK*	DESCRIPTION	
1	9721-0610	FRAME 28" MH COVER DOUBLE ACTING SIDEWALK	EA
DESIGNATION		DESCRIPTION	
MHCF28SMY		MH DA COV FRAME 28" SDWK ML CO	

DRAWN: AVI	DVLPED: CER	DATE: 2-10-82	REVIEWED: TWM DATE: 9-15-04	APPRVD: MDW DATE: 02-20-08	NEXT REVIEW: 02-11	REV: E
------------	-------------	---------------	-----------------------------	----------------------------	--------------------	--------



POWER
DISTRIBUTION
STANDARDS

28" MANHOLE COVER FRAME FOR
DOUBLE COVER SIDEWALK TYPE