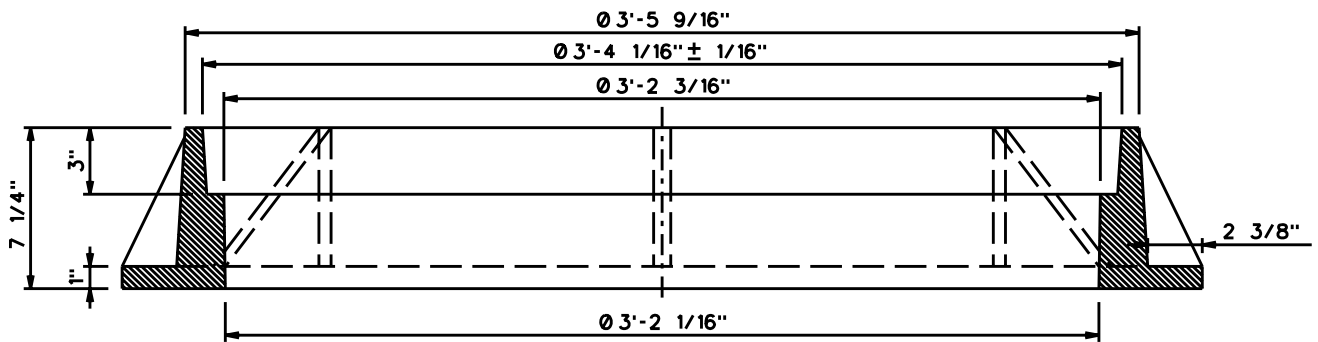


PLAN VIEW



SECTION 1

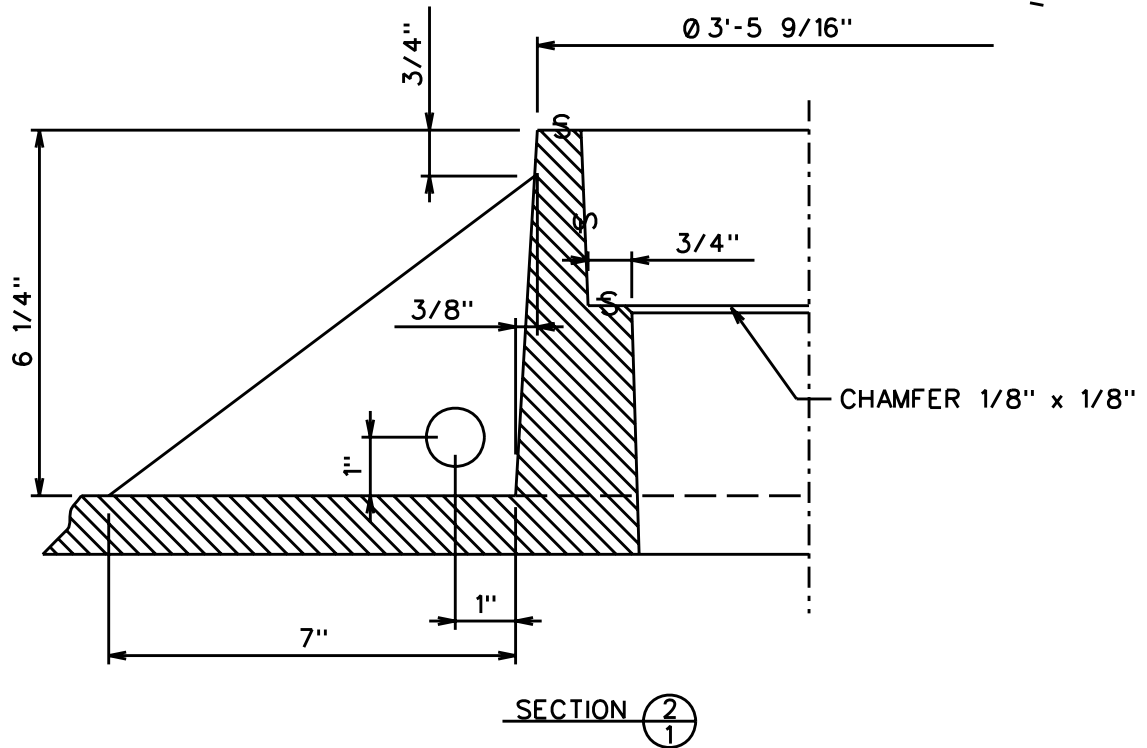
NOTES: SEE PAGE 2

DRAWN: AVI | DVLPED: JR | DATE: 04-11-02 | REVIEWED: TWM DATE: 9/13/04 | APPRVD: MDW DATE: 02-20-08 | NEXT REVIEW: 02-11 | REV: A



POWER
DISTRIBUTION
STANDARDS

40" MANHOLE COVER FRAME FOR
DOUBLE COVER ROADWAY TYPE



NOTES

- 1: ALL CASTING SHALL CONFORM TO STANDARD SPECIFICATIONS FOR GRAY IRON CASTINGS A.S.T.M. DESIGNATION A-48-83 CLASS 35 TOGETHER WITH LATEST REVISIONS THEREOF.
- 2: STOCK NO. 9721-0611 SHALL APPEAR ON THE CASTING. APPROXIMATE WEIGHT 598LBS.
- 3: S MACHINE FINISH.
- 4: EACH CASTING SHALL BE IDENTIFIED WITH THE MANUFACTURER'S NAME OR LOGO
- 5: CASTINGS SHALL BE FREE FROM SAND OR BLOW HOLES AND SHARP EDGES.
- 6: WITH EXCEPTION ONLY TO ANY NOTED TOLERANCES, NO DIMENSION SHALL EXCEED : 1/16" / FT.
- 7: REV A: CHANGE DWG FORMAT AND CHANGE STOCK No's FOR WMIS

COMPATIBLE UNIT 40" MANHOLE COVER FRAME FOR DOUBLE COVER ROADWAY TYPE			
QTY	STOCK*	DESCRIPTION	
1	9721-0611	FRAME 40" MH COVER DOUBLE ACTING ROADWAY	EA
	DESIGNATION	DESCRIPTION	
	MHDAFRMY	MH DA COV FRAME 40" RDWY ML CO	

DRAWN: AVI | DVL PED: JR | DATE: 04-11-02 | REVIEWED: TW M | DATE: 9/13/04 | APPRVD: MDW | DATE: 02-20-08 | NEXT REVIEW: 02-11 | REV: A



POWER
DISTRIBUTION
STANDARDS

40" MANHOLE COVER FRAME FOR
DOUBLE COVER ROADWAY TYPE