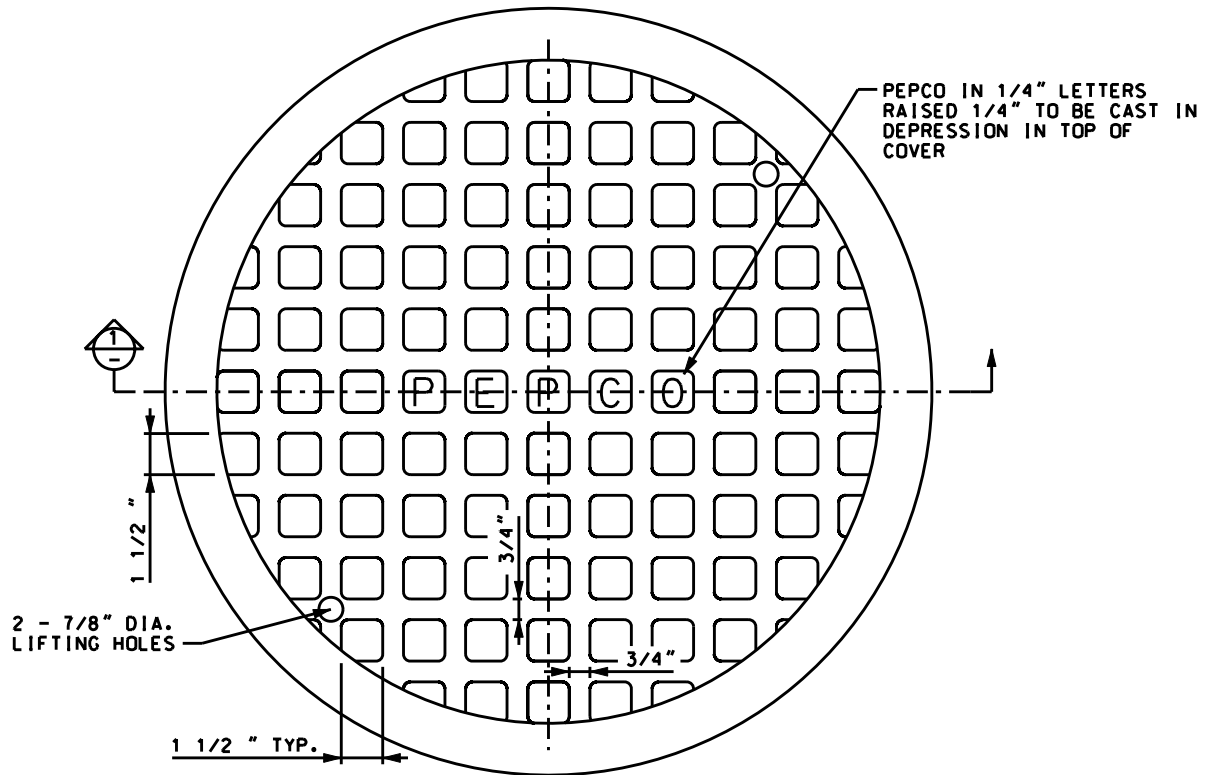
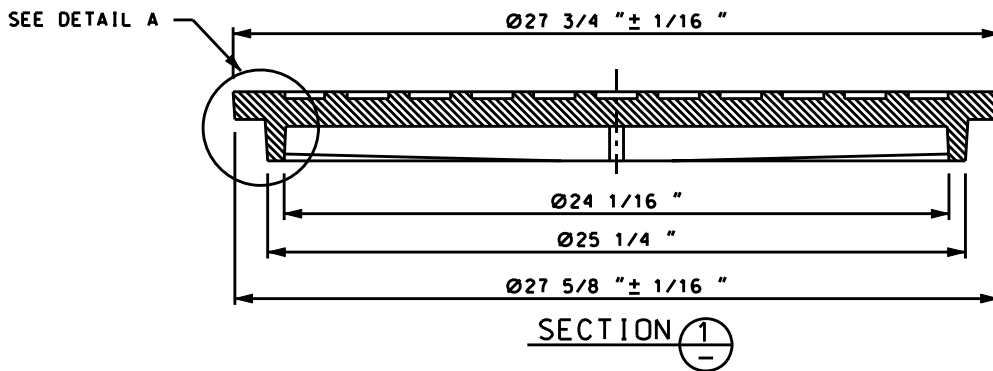


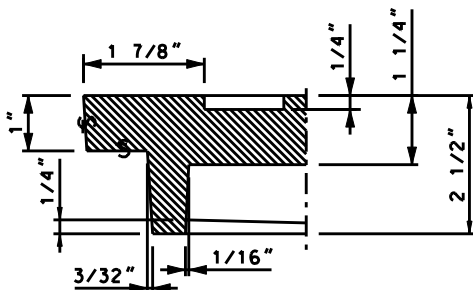
2-2-0431.1.2



TOP VIEW



SECTION 1



DETAIL A

NOTES:

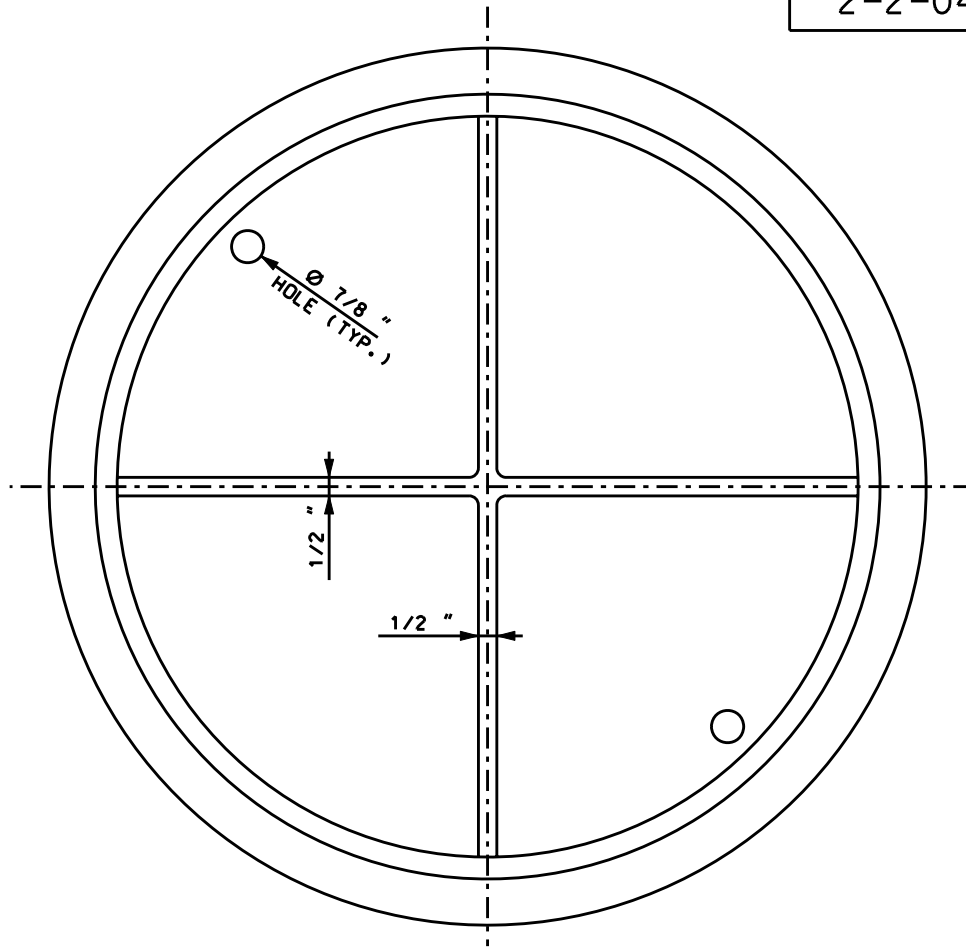
- 1. SEE PAGE 2
- 2. REV D: CHANGED DWG FORMAT.

DRAWN: AVI	DVLPED: JR	DATE: 8/7/86	REVIEWED: TWM	DATE: 9/15/04	APPRVD: MDW	DATE: 02-21-08	NEXT REVIEW: 02-11	REV: D
------------	------------	--------------	---------------	---------------	-------------	----------------	--------------------	--------



POWER  
DISTRIBUTION  
STANDARDS

28" MANHOLE COVER



BOTTOM VIEW

**NOTES:**

- 1: ALL CASTING SHALL CONFORM TO STANDARD SPECIFICATIONS FOR GRAY IRON CASTINGS A.S.T.M. DESIGNATION A-48 CLASS 35 LATEST REVISIONS.
- 2: STOCK NO. 9721-0637 SHALL APPEAR ON THE CASTING. APPROXIMATE WEIGHT 156LBS.
- 3: ~~S~~ MACHINE FINISHED.
- 4: EACH CASTING SHALL BE IDENTIFIED WITH THE MANUFACTURER'S NAME OR LOGO.
- 5: CASTINGS SHALL BE FREE FROM SAND OR BLOW HOLES AND SHARP EDGES.
- 6: WITH EXCEPTION ONLY TO ANY NOTED TOLERANCES, NO DIMENSION SHALL EXCEED  $\pm 1/16"$  / FT.
- 7: SEE DWG 4-2-0432 FOR 28" MH COVER FRAME ROADWAY TYPE.
- 8: SEE DWG 4-2-0433 FOR 28" MH COVER FRAME SIDEWALK TYPE.
- 9: MANUFACTURER TO VERIFY THAT COVER IS DESIGNED FOR H2O LOADING.
- 10: REV D: CHANGED DWG FORMAT AND CHANGED STOCK NO'S PER WMIS.

COMPATIBLE UNIT 24" MANHOLE COVER		
QTY	STOCK#	DESCRIPTION
1	9721-0637	COVER 28" MANHOLE ROADWAY
	DESIGNATION	DESCRIPTION
	MHC28MY	MH CVR 28" ML CO

DRAWN: AVI | DVLPED: JR | DATE: 8/7/86 | REVIEWED: TWM DATE: 9/15/04 | APPRVD: MDW DATE: 02-21-08 | NEXT REVIEW: 02-11 | REV: D



POWER  
DISTRIBUTION  
STANDARDS

28" MANHOLE COVER