

**#3 DEF ROD**

- ① 43" LONG (16)
- ② 24" LONG (8)
- ③ 18" LONG (2)

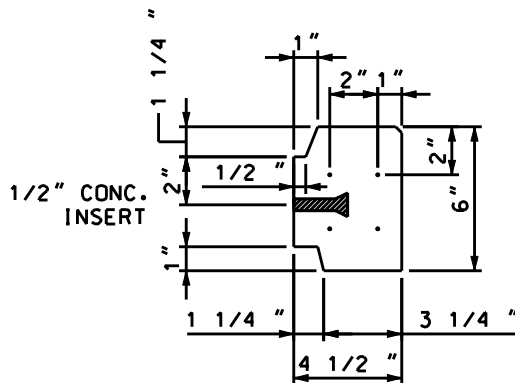
1-1/4" X 1-1/4" X 1/4" L X 4" LONG  
 WELDED TO ITEM #3 ROD  
 GALV AFTER WELDING

CHAMFER ALL EXTERNAL SHARP CORNERS

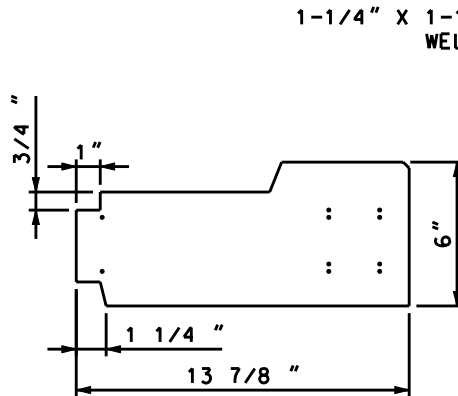
STOCK NO 9721-0689

**NOTES:**

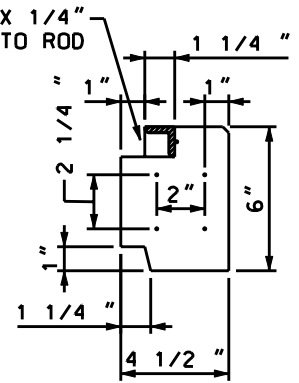
1. COMPATIBLE UNIT DESIGNATION:  
 SSTRGFMB OR Y
2. REV A: CHANGED STOCK NO FOR  
 WMIS AND DWG FORMAT.



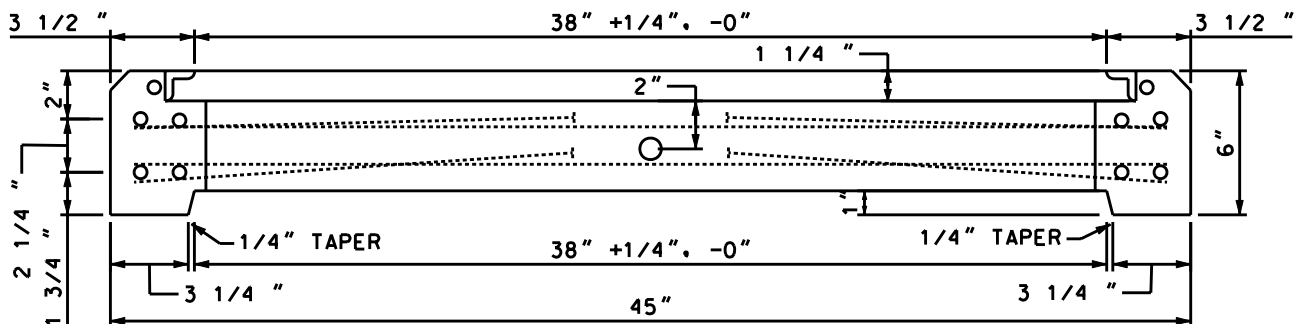
SEC A-A



SEC B-B



SEC C-C



SEC ON CL WITH C-C

DRAWN: AVI | DVLPED: CEG | DATE: 05-24-72 | REVIEWED: CEG | DATE: 07-01-04 | APPRVD: MDW | DATE: 01-30-08 | NEXT REVIEW: 01-11 | REV: A



POWER  
 DISTRIBUTION  
 STANDARDS

CONCRETE GRATING FRAME FOR  
 URD SUBSURFACE ENCLOSURE