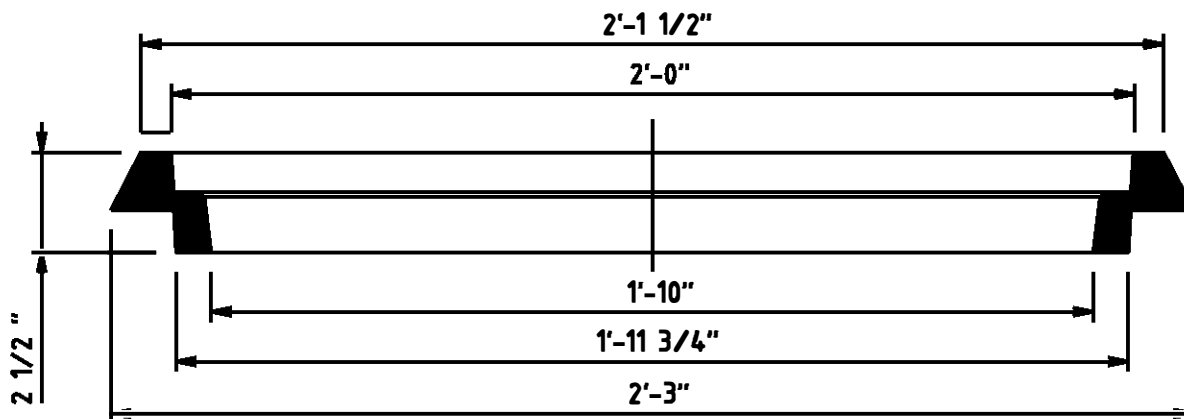


PLAN VIEW



NOTES: SEE PAGE 2

SECTION A - A

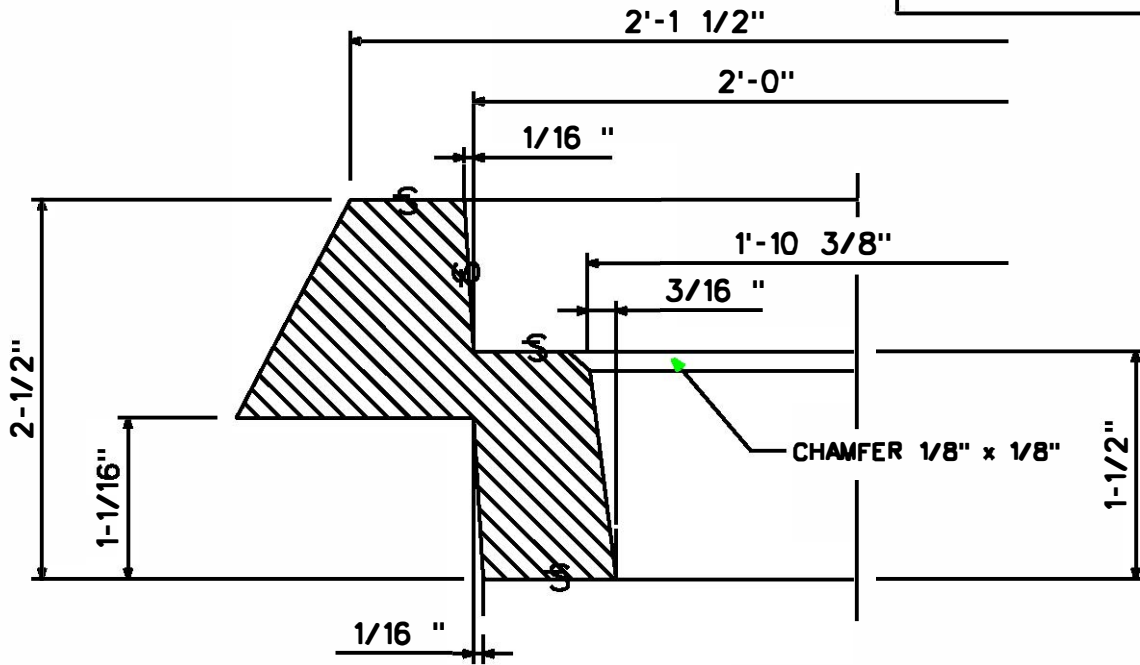
COMPATIBLE UNIT DESIGNATION - MHAR15X24MY

DRAWN: AVI | DVL PED: JR | DATE: 04-11-02 | REVIEWED: RDS DATE: 10/08/15 | APPRVD: AAT DATE: 10/08/15 | NEXT REVIEW: 10/19 | REV: A



POWER
DISTRIBUTION
STANDARDS

24" HANDHOLE 1-1/2" ADJUSTING RING



SECTION A - A

NOTES

- 1: ALL CASTING SHALL CONFORM TO STANDARD SPECIFICATIONS FOR GRAY IRON CASTINGS A.S.T.M. "A-48" LATEST REVISIONS.
- 2: STOCK NO. 9721-0616 SHALL APPEAR ON THE CASTING. APPROXIMATE WEIGHT 76 LBS.
- 3: - MACHINE FINISHED.
- 4: EACH CASTING SHALL BE IDENTIFIED WITH THE MANUFACTURER'S NAME OR LOGO
- 5: CASTINGS SHALL BE FREE FROM SAND OR BLOW HOLES AND SHARP EDGES.
- 6: WITH EXCEPTION ONLY TO ANY NOTED TOLERANCES, NO DIMENSION SHALL EXCEED ± 1/16" / FT.
- 7: SEE DWG 4-2-0426 FOR 24" HH COVER FRAME ROAWAY TYPE.
- 8: SEE DWG 4-2-0424 FOR 24" HH COVER ROAWAY TYPE.
- 9: WORN OPENINGS ON HANHOLES LARGER THAN THE 24" SHOULD BE REPLACED WITH A 28" COVER.
- 10: REV: A CHANGE DWG FORMAT AND STOCK No's FOR WMIS.

COMPATIBLE UNIT 24" HANDHOLE ADJUSTING RING			
QTY	STOCK*	DESCRIPTION	
1	9721-0616	24" MH COVER 1-1/2" ADJUSTING ROADWAY	EA
DESIGNATION		DESCRIPTION	
MHAR15X24MY		MH CVR ADJ RING 24x1.5" ML CO	

DRAWN: AVI | DVL PED: JR | DATE: 10/15/03 | REVIEWED: RDS DATE: 10/08/15 | APPRVD: AAT DATE: 10/08/15 | NEXT REVIEW: 10/19 | REV: A



POWER
DISTRIBUTION
STANDARDS

24" HANDHOLE 1-1/2" ADJUSTING RING