

PLAN VIEW

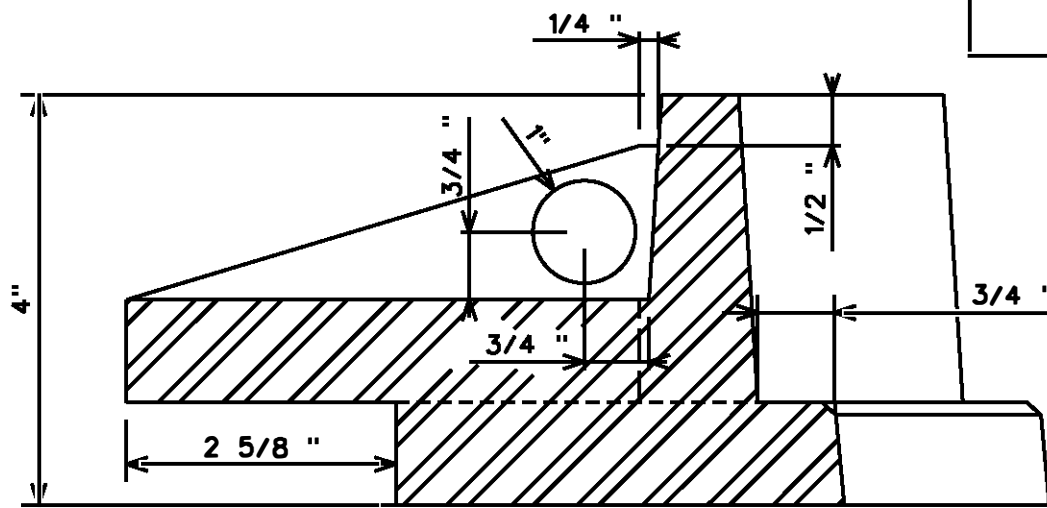
SEE NOTES SHT. 3 :

DRAWN: AVI | DVL PED: JR | DATE: 4/5/02 | REVIEWED: RDS DATE: 10/08/15 | APPRVD: AAT DATE: 10/08/15 | NEXT REVIEW: 10/19 | REV: A

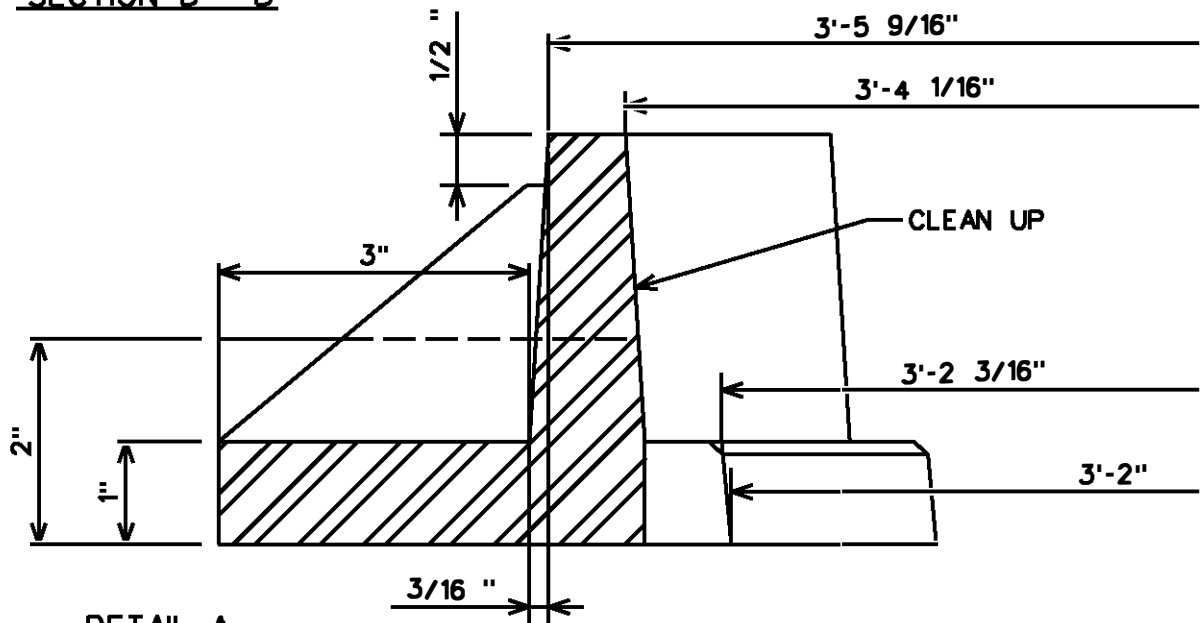


POWER
DISTRIBUTION
STANDARDS

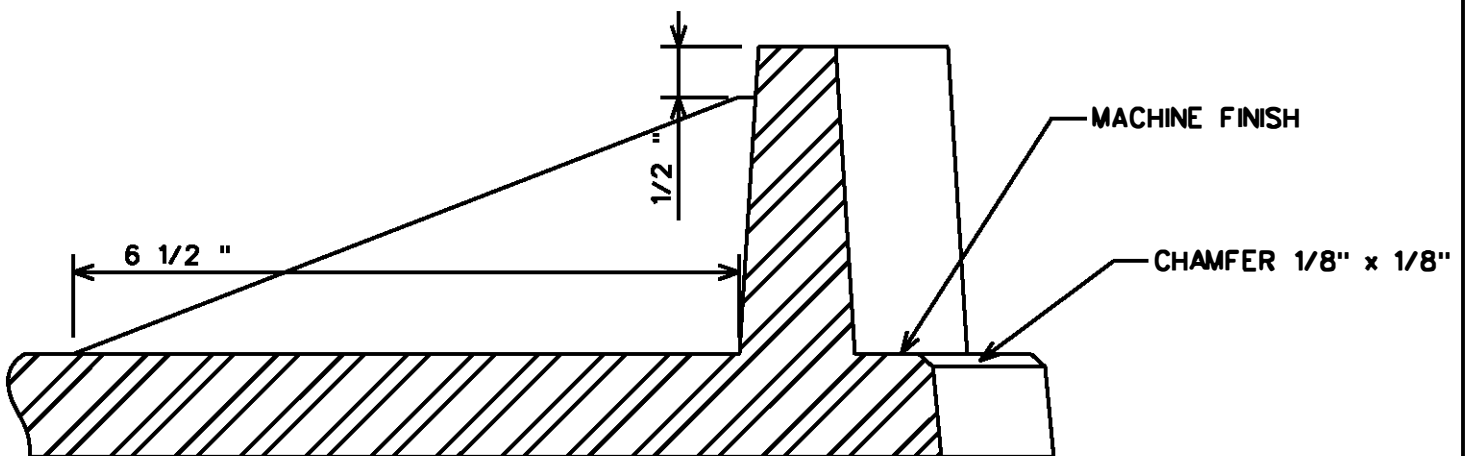
40" MANHOLE COVER FRAME FOR
DOUBLE COVER SIDEWALK TYPE



SECTION B - B



DETAIL A



SECTION A - A

SEE NOTES SHT. 3 :

DRAWN: AVI | DVL PED: JR | DATE: 4/5/02 | REVIEWED RDS DATE: 10/08/15 | APPRVD: AAT DATE: 10/08/15 | NEXT REVIEW: 10/19 | REV: A



POWER
DISTRIBUTION
STANDARDS

40" MANHOLE COVER FRAME FOR
DOUBLE COVER SIDEWALK TYPE

NOTES:

- 1: ALL CASTING SHALL CONFORM TO STANDARD SPECIFICATIONS FOR GRAY IRON CASTINGS A.S.T.M. DESIGNATION A-48 CLASS 25 LATEST REVISIONS
- 2: STOCK NO. 9721-0606 SHALL APPEAR ON THE CASTING.
APPROXIMATE WEIGHT 377 LBS.
- 3: PLAIN D SHALL NOT BE WARPED 1/4"
- 4: EACH CASTING SHALL BE IDENTIFIED WITH THE MANUFACTURER'S NAME OR LOGO
- 5: CASTINGS SHALL BE FREE FROM SAND OR BLOW HOLES AND SHARP EDGES.
- 6: WITH EXCEPTION ONLY TO ANY NOTED TOLERANCES, NO DIMENSION SHALL EXCEED 1/16 "/FT.
7. REV A. CHANGE DWG. FORMAT & CHANGE STOCK No's FOR WMIS.

DRAWN:AVI | DVL PED:JR | DATE:04-5-02 | REVIEWED:RDS DATE:10/08/15 | APPRVD: AAT | DATE:10/08/15 | NEXT REVIEW: 10/19 | REV: A



POWER
DISTRIBUTION
STANDARDS

4D" MANHOLE COVER FRAME FOR DOUBLE
COVER SIDEWALK TYPE