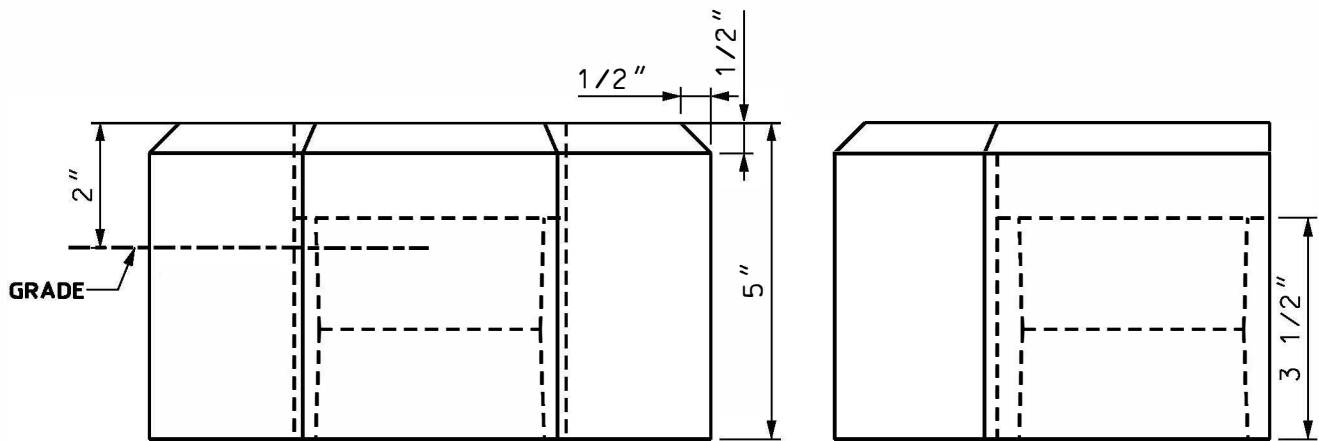


PLAN



FRONT ELEVATION

SIDE ELEVATION

COLLAR NO.	COUPLING NO.	
1	3"	9721-0771
2	4"	9721-0768
3	5"	9721-0769
4	6"	9721-0770

REFERENCES:

1. DWG. # 2-2-0727 RISER SHEILD ASSEMBLY.
2. DWG. # 2-2-0470 RISER PIPE ASSEMBLY.
3. DWG. # 2-2-0472 ADAPTER.

DRAWN: DPJ | DVLPEO: JWW | DATE: 11/25/80 | REVIEWED: RDS | DATE: 08/26/15 | APPRVD: AAT | DATE: 08/26/15 | NEXT REVIEW: 08/19 | REV: B



POWER
DISTRIBUTION
STANDARDS

PRECAST CONCRETE COLLAR
FOR U.G. TO O.H. CONNECTION