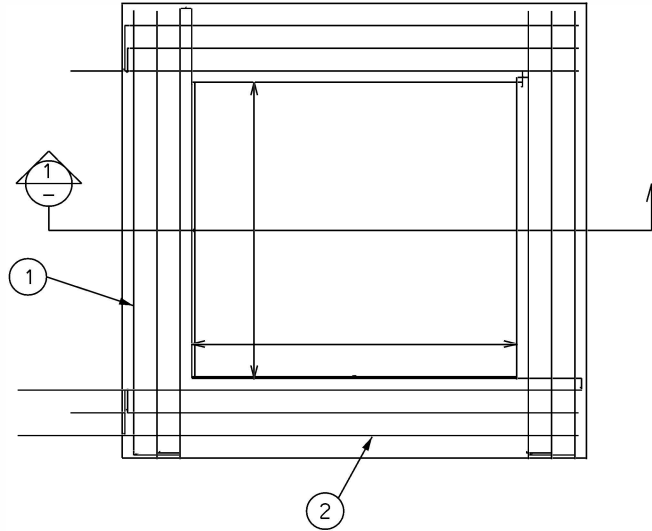
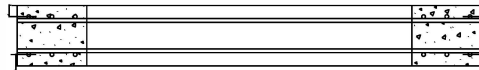


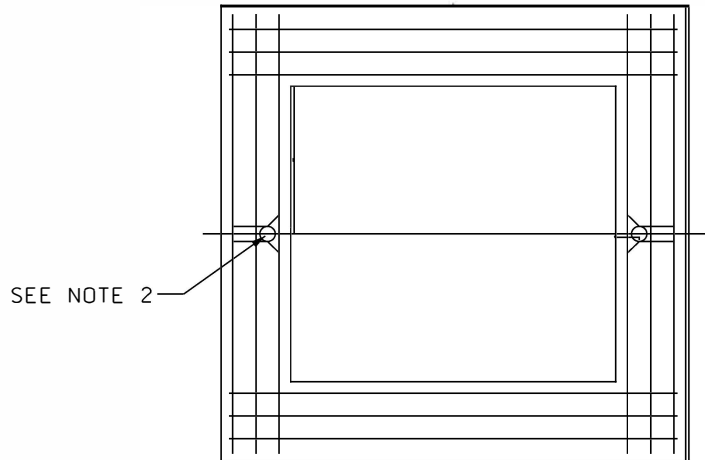
PRECAST ROADWAY ROOF FOR
4'-0" X 4'-0" MANHOLE



PLAN OF THE BOTTOM REINFORCING



SECTION 1



PLAN OF THE BOTTOM REINFORCING

ROD NO	1
QUANTITY	24
SIZE	#4
LENGTH	4'-8"

REV: REV:	DESCRIPTION: PRECAST ROADWAY ROOF FOR 4'-0" X 4'-0" MH	ACE: <input type="checkbox"/>	DPL: <input type="checkbox"/>	PEPCO: <input checked="" type="checkbox"/>
DEVELOPED: CRO	DATE: 04/79	REVIEWED: LA	DATE: 04/16/18	APPROVED: BS
			DATE: 04/19/18	

PRECAST ROADWAY ROOF FOR
4'-0" X 4'-0" MANHOLE

FRAME NOTES:

1. REFER TO DWG 2-2-0432 FOR DETAIL OF 28" MANHOLE COVER FRAME ROADWAY TYPE.
2. REFER TO DWG 5-2-0684 FOR DETAIL OF 4'-0" x 4'-0" MANHOLE.
3. CONCRETE MIX 6 BAG MIX. 3500PSI AT 28 DAYS.
4. INSTALL SUPERIOR DOUBLE PICK UP INSERTS TYPE 1: CUT IN HALF. 1 REQUIRED PER SLAB.
5. TOTAL WEIGHT 1363LBS. TOTAL CONCRETE 34 CU.YD.
6. STOCK NUMBER 9721-0562 SHALL APPEAR ON THE CASTING.
7. ROOF TO BE INSTALLED WITH 12" MINIMUM COVER.
8. THE REBAR SHALL BE EPOXY LOATED AND INSTALLED AS SHOWN.

COMPATIBLE UNIT FOR PRECAST ROADWAY ROOF 4'-0" x 4'-0" MANHOLE				
QUANTITY	CAT ID	STOCK #	DESCRIPTION	
117'		P000-0024	REBAR SIZE #4	
34		P000-0016	CONCRETE READY MIX	CU. YD.
1		7925-0479	INSERT CONCRETE PLATED STEEL	EA
		DESIGNATION	DESCRIPTION	STOCK NO.
MHR4X4RMY			MH ROOF 4 X 4 RECESSED ML CO	9721-0562

NOTES:

REV. A: CHANGED DWG FORMAT. CHANGED STOCK NO'S PER WMIS.