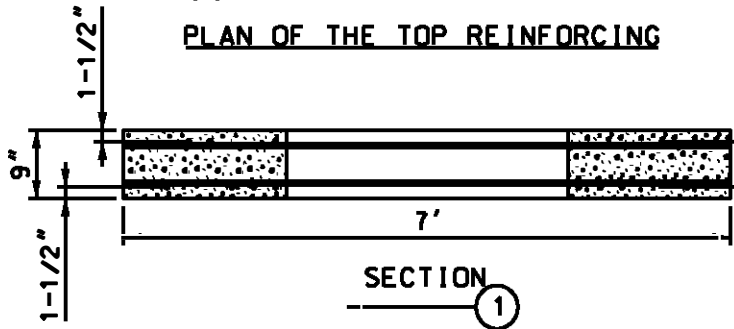
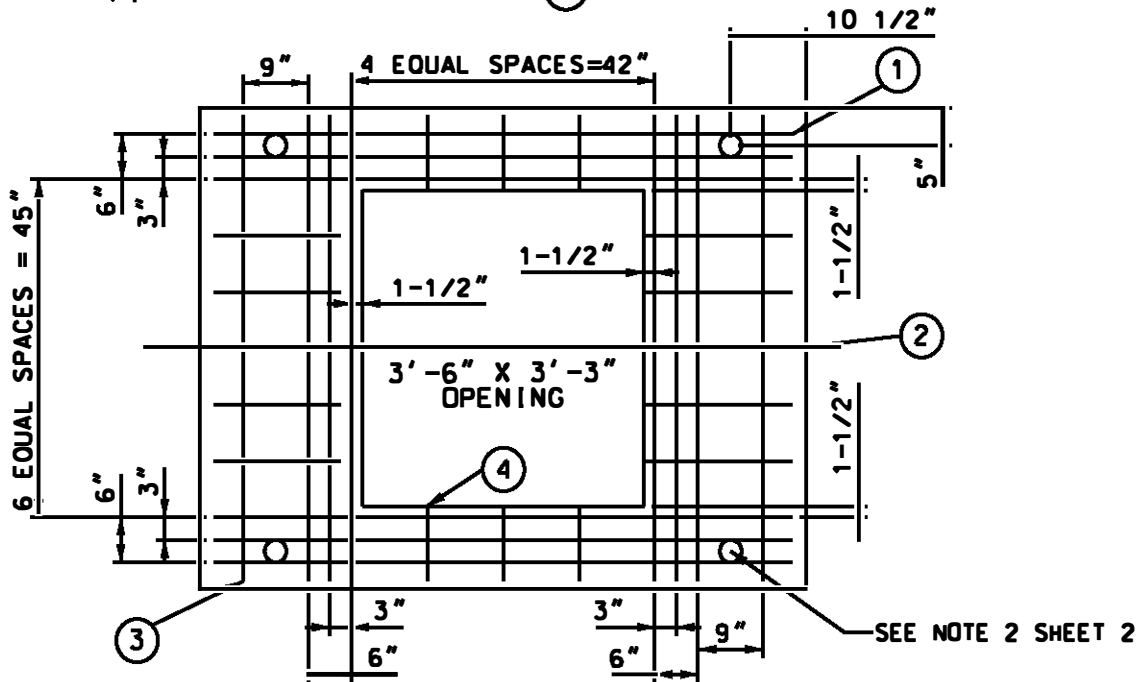


PLAN OF THE TOP REINFORCING



SECTION 1



PLAN OF THE BOTTOM REINFORCING

DRAWN: DPJ | DVLPED: CPD | DATE: 04-79 | REVIEWED: RDS | DATE: 02/10/16 | APPROVD: AAT | DATE: 02/10/16 | NEXT REV: 02/19 | REV: A



POWER DISTRIBUTION STANDARDS

PRECAST ROADWAY ROOF FOR 4'-6" x 6'-0" MANHOLE

ROD NO	1	2	3	4	5	6	7
QUANTITY	6	10	8	6	6	6	4
SIZE	#6	#6	#4	#4	#3	#3	#3
LENGTH	6'-8"	1'-6"	5'-2"	10"	6'-8"	5'-2"	10"

PRECAST ROADWAY ROOF NOTES:

- 1: TOTAL WEIGHT 2818LBS.
- 2: TOTAL CONCRETE 0.70 CU.YD.
- 3: INSTALL SUPERIOR SINGLE PICK UP
(INSERT TYPE 1, 4 REQUIRED PER SLAB)
- 4: CONCRETE MIX 6 BAG MIX 3500PSI AT 28 DAYS.
- 5: STOCK NUMBER 9721-0563 SHALL APPEAR ON THE CASTING.
- 6: ROOF TO BE INSTALLED WITH 12" MINIMUM COVER.
- 7: THE REBAR SHALL BE EPOXY LOATED AND INSTALLED AS SHOWN.

COMPATIBLE UNIT FOR PRECAST ROADWAY ROOF 4'-6" x 6'-0" MANHOLE			
QUANTITY	STOCK #	DESCRIPTION	
55'	P000-0026	REBAR SIZE #6	
47'	P000-0024	REBAR SIZE #4	
75'	P000-0023	REBAR SIZE #3	
0.70	P000-0016	CONCRETE READY MIX	CU. YD.
4	9725-0818	SINGLE PICK UP INSERT CONCRETE TYPE 1	EA
	DESIGNATION	DESCRIPTION	STOCK NO.
	MHRR4506RMY	MH ROOF CONC 4.5X6 RDWY ML CO	9721-0563

NOTES

REV A: CHANGED DWG FORMAT. CHANGED STOCK NO'S PER WMIS.

DRAWN: DPJ | DVLPEP: CPD | DATE: 04-79 | REVIEWED:RDS DATE: 02/10/16 | APPRVD: AAT | DATE: 02/10/16 | NEXT REVIEW: 02/19 | REV: A



POWER
DISTRIBUTION
STANDARDS

PRECAST ROADWAY ROOF FOR
4'-6" x 6'-0" MANHOLE