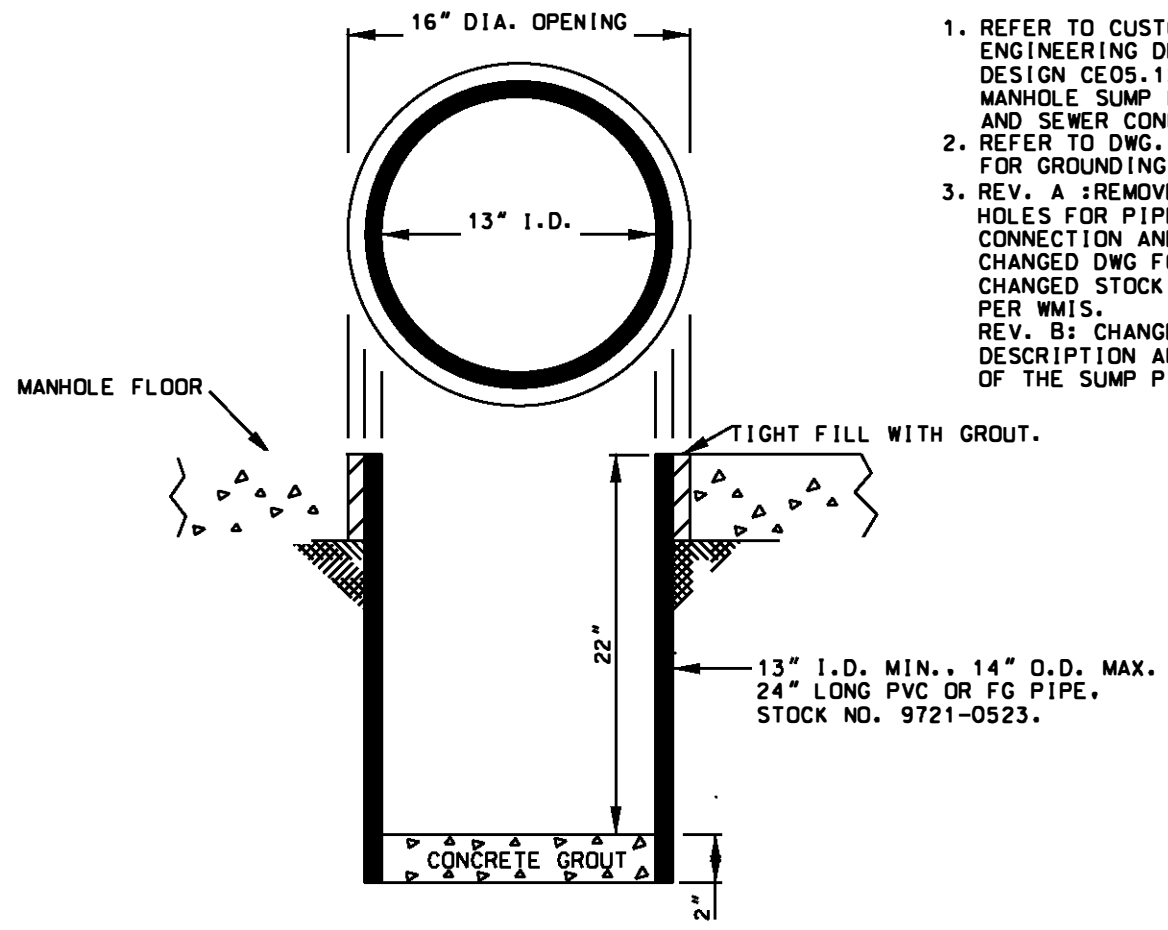
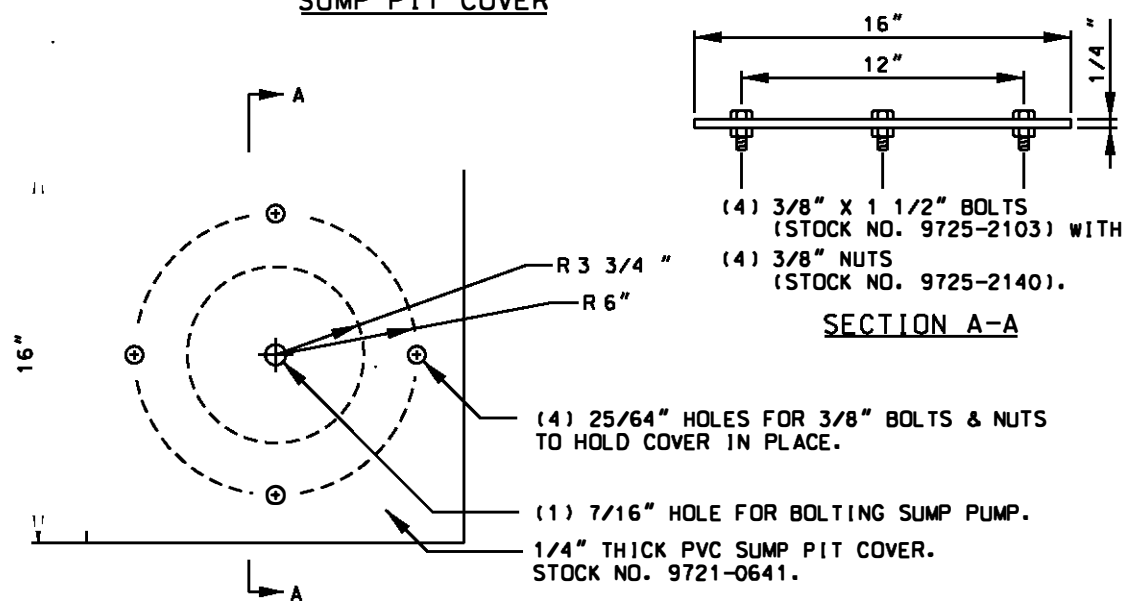


NOTES:

1. REFER TO CUSTOMER ENGINEERING DEFINITIVE DESIGN CE05.12 FOR MANHOLE SUMP PUMP AND SEWER CONNECTIONS.
2. REFER TO DWG. 2-2-1096.1.1 FOR GROUNDING IN MANHOLE.
3. REV. A :REMOVED 1 21/32" HOLES FOR PIPE CONNECTION AND DRAINAGE: CHANGED DWG FORMAT: CHANGED STOCK NO'S PER WMIS.
REV. B: CHANGED DESCRIPTION AND DESIGN OF THE SUMP PIT COVER.



SUMP PIT COVER



DRAWN: RLH | DVLPED: JC | DATE: 09-20-93 | REVIEWED:RLH DATE: 10/15/08 | APPRVD: MDW DATE: 10-15-08 | NEXT REVIEW: 10-11 | REV: B



DISTRIBUTION
STANDARDS

SUMP PIT FOR
STANDARD MANHOLE