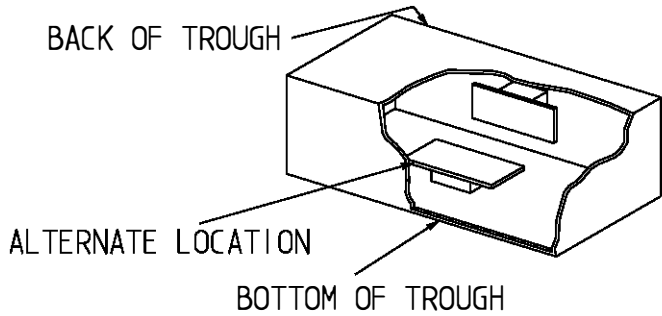
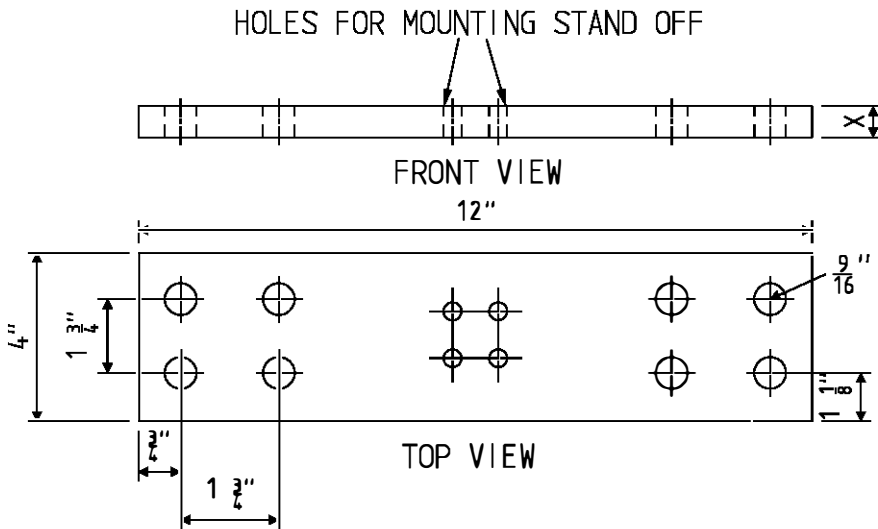


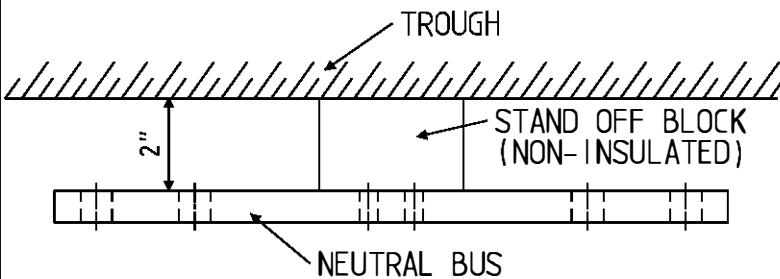
DIMENSIONS & MOUNTING FOR NEUTRAL BUS IN TROUGH FOR MULTIPLE METERING



NEUTRAL BUS MAY BE MOUNTED IN BACK OF TROUGH OR ON BOTTOM OF TROUGH AS SHOWN.
12"x12" MINIMUM TROUGH



NEUTRAL BUS TO BE MADE OF TIN COATED ALUMINUM OR COPPER
IF ALUMINUM $X = \frac{1}{2}$ "
IF COPPER $X = \frac{1}{4}$ "



NEUTRAL BUS SHOULD BE SECURED TO TROUGH BY 2 INCH NON-INSULATED STAND OFF BLOCK TO ALLOW SPACE FOR BOLTS FOR COMPRESSION LUGS

NEUTRAL BUS SHOULD BE MOUNTED IN TROUGH WHEN TWO TO SIX METERS ARE SUPPLIED FROM A TROUGH. FOUR SETS OF DRILLINGS ARE REQUIRED FOR PEPCO USE. ADDITIONAL SETS OF DRILLINGS SHOULD BE ADDED FOR OTHER GROUNDS TERMINATING AT NEUTRAL BLOCK BY ELECTRICIAN

REV: A	DESCRIPTION: CONVERTED FROM CD.004.01	ACE: <input type="checkbox"/>	DPL: <input type="checkbox"/>	PEPCO: <input checked="" type="checkbox"/>
DEVELOPED: DJD	DATE: 04/26/1990	REVIEWED: RDS	DATE: 10/13/2015	APPROVED: BS
		DATE: 05/23/2018		