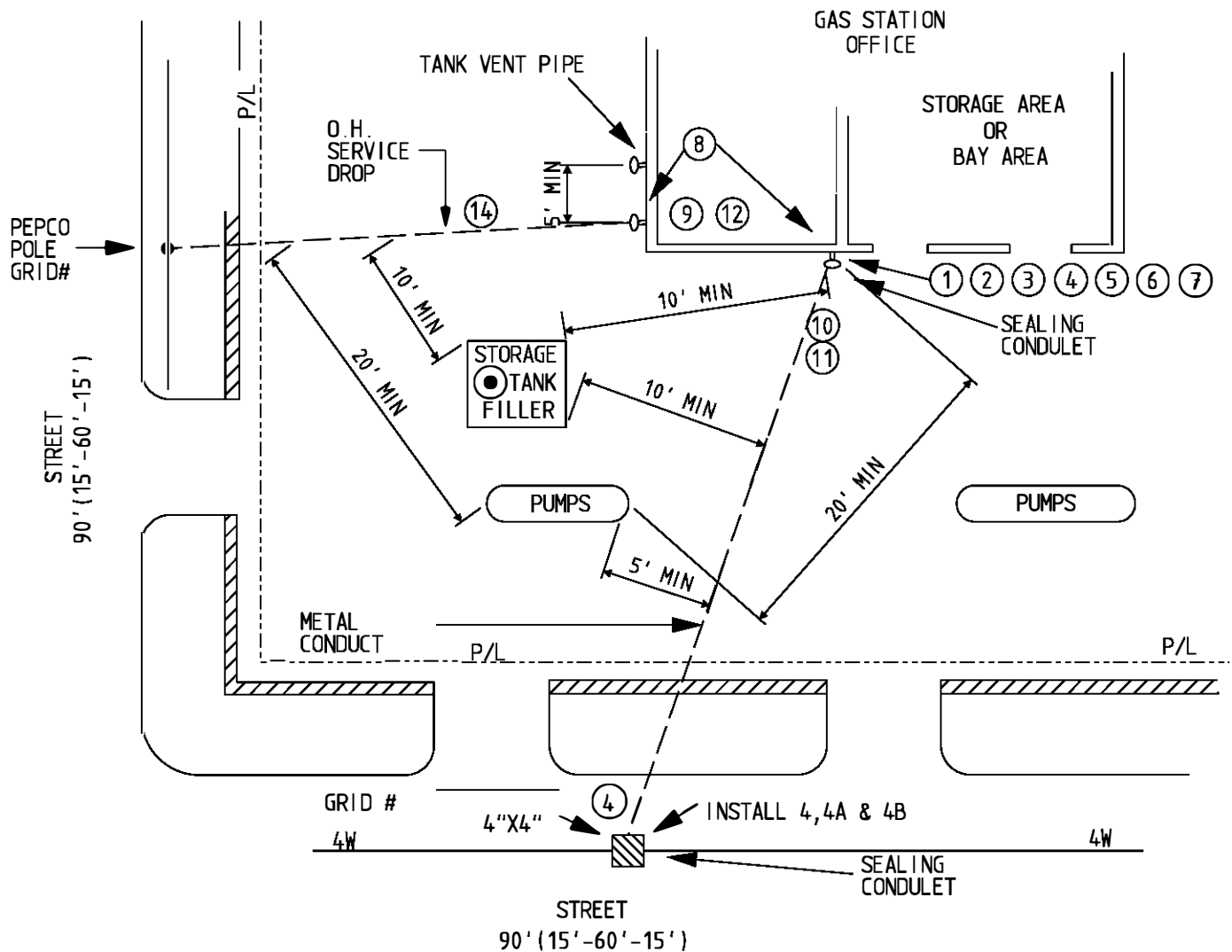


INSTALL & SEALING OF RIGID GALVANIZED PIPE FOR HAZARDOUS LOCATIONS



GENERAL NOTES:

I. HAZARDOUS LOCATIONS ASSOCIATED WITH GASOLINE DISPENSING AND SERVICE STATIONS.

A. DISPENSING PUMP - WITHIN 20 FEET HORIZONTALLY FROM ANY DISPENSING PUMP EXTENDING TO A LEVEL OF 18 INCHES ABOVE GRADE. REFER TO FIG. 1 SHT 3.

B. TANK FILL PIPE - WITHIN 10 FEET HORIZONTALLY FROM ANY TANK FILL PIPE EXTENDING TO A LEVEL OF 18 INCHES ABOVE GRADE. REFER TO FIG. 2 SHT 3.

C. TANK VENT PIPES

1. UPWARD DISCHARGE - WITHIN A SPHERICAL VOLUME OF RADIUS 5 FEET MEASURED FROM THE POINT OF DISCHARGE. REFER TO FIG. 3 SHT 3.

2. DISCHARGE OTHER THAN UPWARD - WITHIN A CYLINDRICAL VOLUME OF RADIUS 5 FEET MEASURED FROM THE POINT OF DISCHARGE EXTENDING TO THE GROUND. THE HAZARDOUS CYLINDRICAL VOLUME DOES NOT EXTEND BEYOND AN UNPIERCED WALL. REFER TO FIG. 4 SHT 3.

D. LUBRICATION ROOM - THE SPACE BELOW FLOOR EXTENDING TO 18 INCHES ABOVE FLOOR OR GRADE.

REV: A | DESCRIPTION: CONVERTED FROM CD.010 | ACE: DPL: PEPCO:

DEVELOPED: SG | DATE: 11/09/1984 | REVIEWED: RDS | DATE: 10/13/2015 | APPROVED: BS | DATE: 05/25/2018

INSTALL & SEALING OF RIGID GALVANIZED PIPE FOR HAZARDOUS LOCATIONS

GENERAL NOTES CONTINUED:

E. OTHER - REFER TO THE NATIONAL ELECTRIC CODE FOR OTHER OCCUPANCIES THAT MAY BE HAZARDOUS BECAUSE OF ATMOSPHERIC CONCENTRATIONS OF FLAMMABLE LIQUIDS, GASES, VAPORS, OR BECAUSE OF DEPOSITS OR ACCUMULATIONS OF MATERIALS THAT MAY BE READILY IGNITABLE.

F. THE SPACE WITHIN THE DISPENSER UP TO 4 FEET FROM ITS BASE IS A CLASS 1 DIVISION 1 LOCATION. THIS CLASSIFICATION SHALL ALSO APPLY TO ANY SPACE BELOW THE DISPENSER THAT MAY CONTAIN ELECTRIC WIRING OR EQUIPMENT. THE SPACE WITHIN 18 INCHES EXTENDING HORIZONTALLY FROM THE DISPENSER UP TO 4 FEET FROM ITS BASE SHALL BE CONSIDERED A CLASS 1 DIVISION 2 LOCATION. REFER TO FIG. 1 SHEET 3.

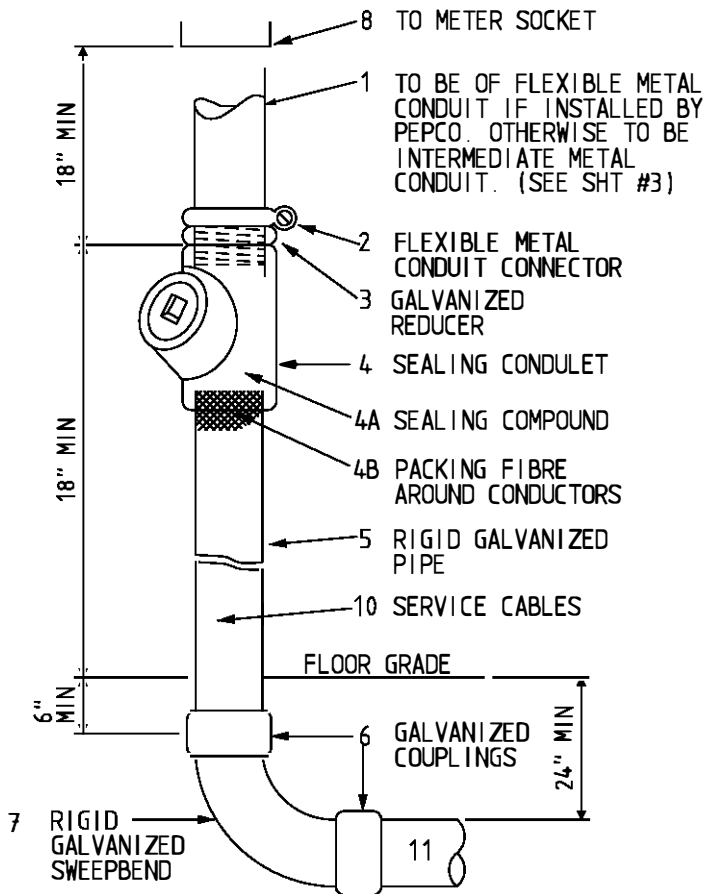
II. LOCATION OF PEPCO FACILITIES

A. MINIMUM DISTANCES INDICATE RECOMMENDED DESIGN CLEARANCES IN ORDER TO MAINTAIN PEPCO AND CUSTOMER FACILITIES (REPLACE TANKS, PUMP ETC) AND INSTALLATION OF THE METER BOX OUTSIDE OF HAZARDOUS AREAS.

B. SPECIAL AUTHORIZATION IS REQUIRED FOR OUT OF SPEC CLEARANCES.

1. ELECTRICAL EQUIPMENT INSTALLED OVER A HAZARDOUS AREA SHOULD BE LOCATED AT THE MAXIMUM DISTANCE POSSIBLE FROM THE DISPENSING PUMP, TANK FILL PIPE OR TANK VENT PIPE. REFER TO FIGURES 1,2,3 & 4 SHEET 3 FOR HAZARDOUS AREAS.

2. BOTTOM OF METER BOX SHALL BE INSTALLED 3FT MIN ABOVE GROUND LEVEL.



III. INSTALLATION OF EQUIPMENT PEPCO TO FURNISH, CUSTOMER TO INSTALL METER SOCKET, ITEM 8. IN ALL CASES UNLESS POSITIONED BEHIND MAINLINE SWITCH, IN WHICH CASE THE CUSTOMER MUST PROVIDE THEIR OWN METER SOCKETS. SEE BELOW.

A. OUTDOOR METER

1. DC & VA - PEPCO TO FURNISH & INSTALL ITEMS 1, 2, 3, 4A, 4B & 10. ITEM 1 TO BE FLEXIBLE METAL CONDUIT (FMC) IF INSTALLED BY PEPCO. INTERMEDIATE METAL CONDUIT (IMC) IS REQUIRED IF ITEM 1 IS CUSTOMER INSTALLED (MEC ARTICLE 350). CUSTOMER TO FURNISH & INSTALL ITEMS 4, 5, 6, 7, & 11. ITEM 11 IS TO BE EXTENDED TO ONE FOOT BEYOND PROPERTY LINE OR A POINT 4 FEET FROM AN EXISTING UTILITY POLE OR MANHOLE, WHICHEVER DISTANCE IS SHORTER.

2. MARYLAND - PEPCO TO FURNISH & INSTALL ITEMS 4A, 4B, & 10. CUSTOMER TO FURNISH & INSTALL ITEMS 1 (IMC) THRU 7 (EXCLUDING ITEM 2). ITEM 11 IS TO BE EXTENDED TO THE PROPERTY LINE OR TO A POINT 4 FEET FROM AN EXISTING UTILITY POLE OR MANHOLE, WHICHEVER DISTANCE IS SHORTER.

B. INDOOR METER

1. DC & VA - CUSTOMER TO FURNISH & INSTALL ITEMS 1 (IMC), 4, 5, 6, 7, & 11. ITEM 11 IS TO BE EXTENDED 1 FT BEYOND PROPERTY LINE OR 4 FEET FROM AN EXISTING UTILITY POLE OR MANHOLE, WHICHEVER DISTANCE IS SHORTER, PEPCO TO FURNISH 4A, 4B & 10.

2. MD - CUSTOMER TO FURNISH & INSTALL ITEMS 1 (IMC) THRU 7 AND ALSO ITEM 11 AS STATED ABOVE. PEPCO TO FURNISH & INSTALL ITEMS 4A, 4B, & 10.

INSTALL & SEALING OF RIGID GALVANIZED PIPE FOR HAZARDOUS LOCATIONS

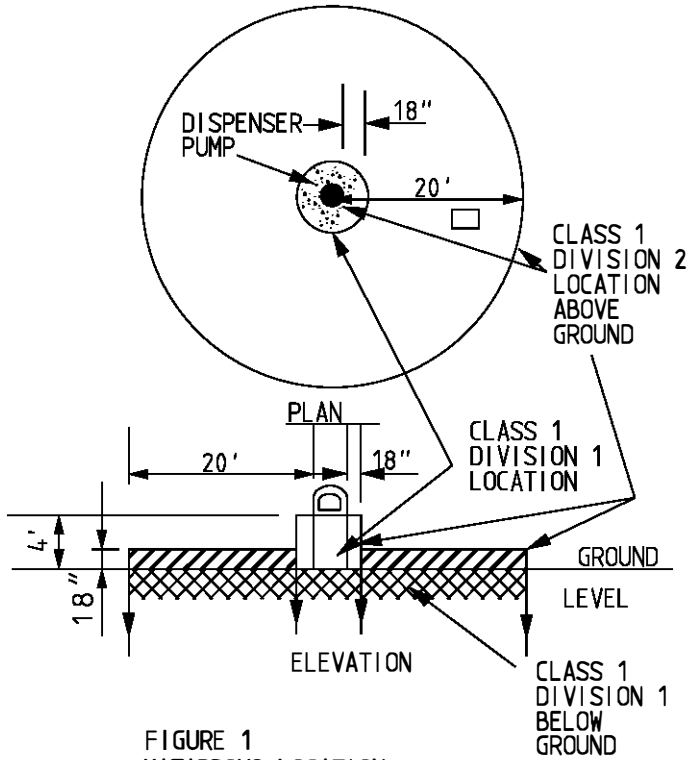


FIGURE 1
HAZARDOUS LOCATION
AROUND DISPENSER

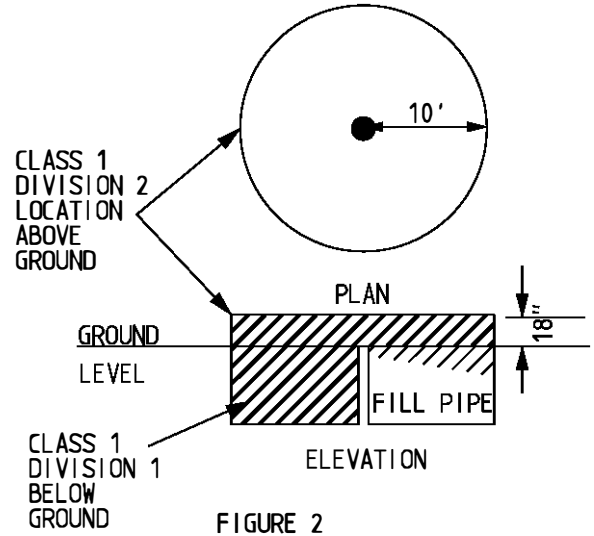


FIGURE 2
HAZARDOUS LOCATION
AROUND TANK FILL PIPE

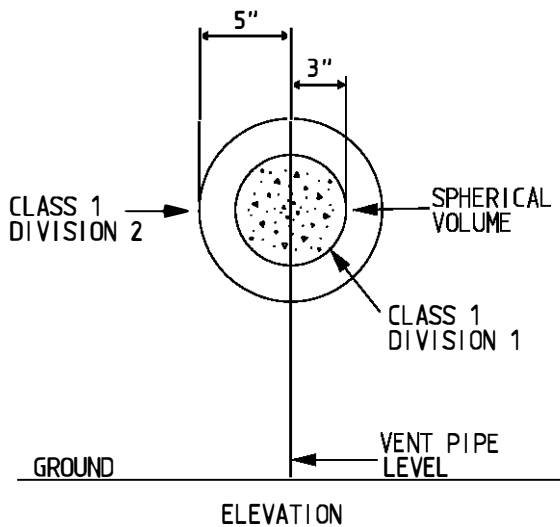


FIGURE 3
HAZARDOUS LOCATION
TANK VENT-PIPE
DISCHARGE UPWARD

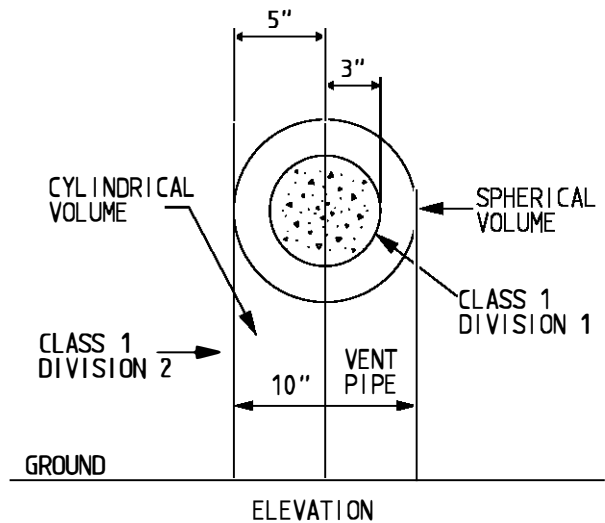


FIGURE 4
HAZARDOUS LOCATION
TANK VENT-PIPE
DISCHARGE OTHER THAN
UPWARD

INSTALL & SEALING OF RIGID GALVANIZED PIPE FOR HAZARDOUS LOCATIONS

C. OVERHEAD CONNECTION

1. DISTRICT OF COLUMBIA & VIRGINIA - PEPCO TO FURNISH & INSTALL ITEMS 12, 13, & 14. CUSTOMER TO FURNISH & INSTALL ITEM 9. MARYLAND - PEPCO TO FURNISH & INSTALL ITEMS 13 & 14. CUSTOMER TO FURNISH & INSTALL ITEMS 9 & 12.

IV. TO CONNECTOR IS TO BE PROVIDED BETWEEN CONDUIT (ITEM 1) AND THE METER SOCKET (ITEM 8). THE CONNECTOR WILL BE FURNISHED BY CUSTOMER IF CUSTOMER IS PROVIDING ITEM 1 & BY PEPCO IF PEPCO IS FURNISHING ITEM 1.

REFERENCE DISTRIBUTION STANDARD DRAWING 0959 FOR INFORMATION ON MATERIALS.

REFERENCE NEC ARTICLES 501 AND 514 FOR MORE INFORMATION ON CLASS I LOCATIONS.

ENGINEERING ASSEMBLY - HAZARDOUS LOCATION SERVICE 3"	
ITEM	DESCRIPTION
1	2.5" CONDUIT. FT.
2	2.5" FLEXIBLE METAL CONDUIT CONNECTOR
3	3" TO 2.5" GALVANIZED REDUCER
4	3" SEALING CONDULET
5	3" RIGID GALVANIZED CONDUIT. FT.
6	3" GALVANIZED COUPLING
7	3" GALVANIZED 13" RADIUS BEND
ENGINEERING ASSEMBLY - HAZARDOUS LOCATION SERVICE 4"	
1	3.5" CONDUIT. FT.
2	3.5" FLEXIBLE METAL CONDUIT CONNECTOR
3	4" TO 3.5" GALVANIZED REDUCER
4	4" SEALING CONDULET
5	4" RIGID GALVANIZED CONDUIT. FT.
6	4" GALVANIZED COUPLING
7	4" GALVANIZED 16" RADIUS BEND
4A	3 LABS SEALING COMPOUND (ST #3101-17)
4B	60Z. PACKING FIBRE (ST #3101-06)
	INCLUDED IN BOTH COMPATIBLE UNITS
8	METER SOCKET
9	SERVICE RACEWAY, AND SERVICE HEAD
10	RUBBER INSULATED LEAD COVERED SERVICE CONDUCTORS.
11	METAL CONDUIT
12	SERVICE RACK
13	SERVICE CABLES IN CUSTOMER'S RACEWAY.
14	SERVICE DROP WIRES