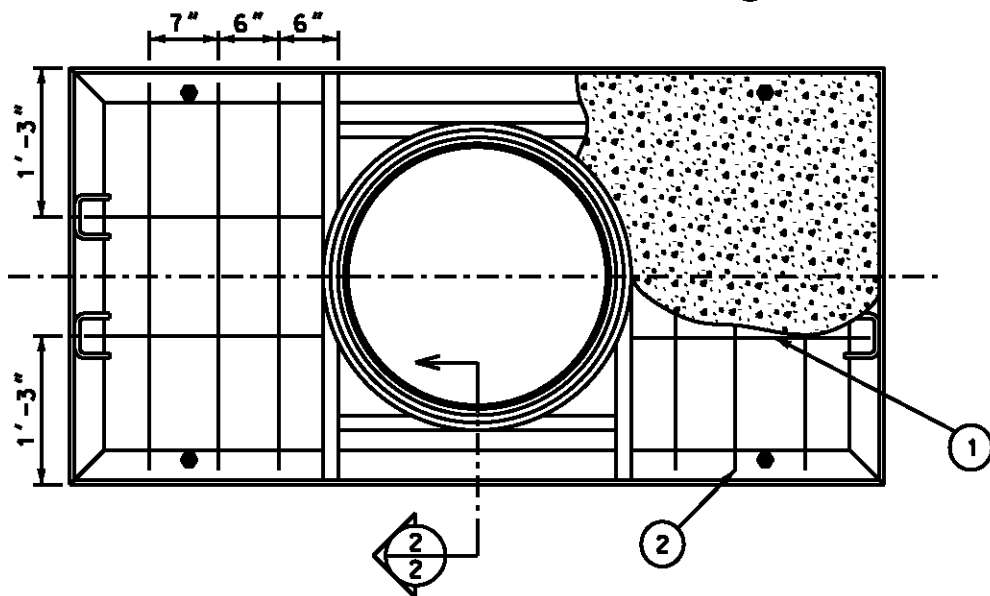
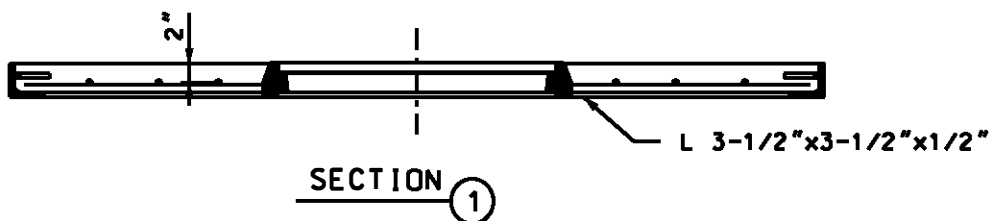
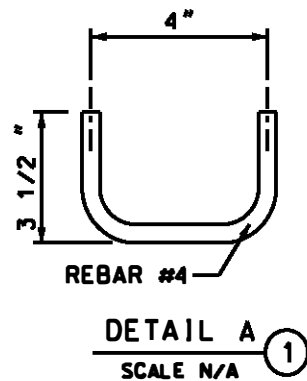


PLAN OF THE FRAME



PLAN OF THE SLAB



ROD NO	1	2
QUANTITY	4	6
SIZE	#3	#3
LENGTH	2'-0"	3'-3"

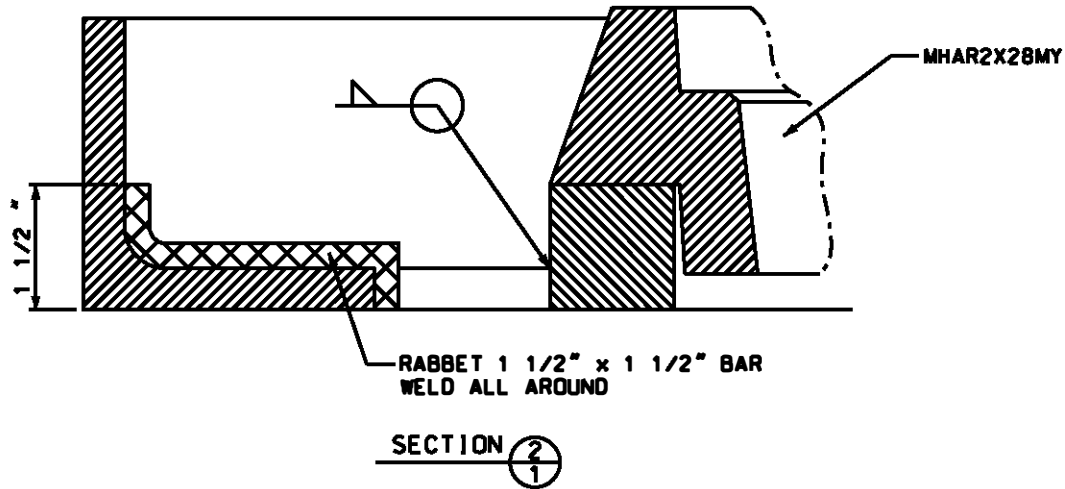
NOTE:
1. REV A: CHANGED DWG FORMAT.

DRAWN: LKD | DVL PED: PML | DATE: 4/29/80 | REVIEWED: RDS | DATE: 10/05/15 | APPRVD: AAT | DATE: 10/05/15 | NEXT REVIEW: 10/19 | REV: A



POWER
DISTRIBUTION
STANDARDS

3'-6" x 6'-10" SIDEWALK ROOF SLAB
WITH 28" ROUND COVER OPENING



WORKSHOP NOTES:

- 1: SHOP IS TO WELD FOUR BARS 1-1/2"x1-1/2" TO FRAME AS SHOWN THEN COLD GALVANIZE, AFTER SHOP WORK IS COMPLETE.

SIDEWALK SLAB NOTES:

- 1: THE REBAR SHALL BE EPOXY LOATED AND INSTALLED INTO THE FRAME AS SHOWN.
- 2: CONCRETE SHALL THEN BE TROWL FINISHED FLUSH WITH THE TOP EDGE FRAME.
- 3: SDWK SLAB WEIGHT = 1200 LBS (COVER RING FRAME 76LBS+FRAME345LBS+CONC780LBS)
- 4: 5.6 CU.F.T OF 4000PSI CONCRETE
- 5: THE MANHOLE COVER FRAME SHALL BE SET CENTER OF THE FRAME AS SHOWN.
- 6: REV A: CHANGED DWG FORMAT AND CHANGED STOCK NO'S PER WMIS.

ENGINEERING ASSEMBLY SLAB FOR 3'-6" x 6'-10" SIDEWALK ROOF SLAB WITH 28" ROUND COVER OPENING			
QTY	DESIGNATION	DESCRIPTION	REF DWG
1	MHAR2X28MY	MH CVR ADJ RING 28"x2" ML CD	4-2-0430
1	MHC28MY	MH COVER 28" ML CD	4-2-0431
DESIGNATION		DESCRIPTION	STOCK NO.
MHR5735CSMY		SLAB, 28" OPEN SDWK RF	9721-0655

COMPATIBLE UNIT			
3'-6" x 6'-10" SIDEWALK ROOF SLAB WITH 28" ROUND COVER OPENING			
QUANTITY	STOCK #	DESCRIPTION	
3'-10"	9700-0024	REBAR SIZE #4	
27'-6"	9700-0023	REBAR SIZE #3	
11'-8"		A-36 STEEL BAR 1 1/2" x 1 1/2"	
1	9721-0604	28" RING 28" MH COVER 2" ADJUST	
20'-8"		CORNER L 3 1/2" x 3 1/2" x 1/2" H	
DESIGNATION		DESCRIPTION	STOCK NO.
MHR5745CSMY		SLAB, 28" OPEN SDWK RF	9721-0655

DRAWN: LKD | DVLPEO: PWL | DATE: 4/29/80 | REVIEWED: ROS DATE: 10/05/15 | APPRVD: AAT DATE: 10/05/15 | NEXT REV: 10/19 | REV: A



**POWER
DISTRIBUTION
STANDARDS**

**3'-6" x 6'-10" SIDEWALK ROOF SLAB
WITH 28" ROUND COVER OPENING**

WELDING SPECIFICATIONS

- 1: ALL STRUCTURAL STEEL SHALL CONFORM TO ASTM A36.
- 2: ALL STEEL IS TO BE WELDED IN ACCORDANCE WITH AWS D1.1 USING EITHER THE SMAW PROCESS (AWS SPEC. A5.1) OR THE FCAW PROCESS (AWS SPEC. A5.20 OR A5.29).
- 3: ALL WELDING IS TO BE PERFORMED ACCORDING TO WELDING PROCEDURE SPECIFICATIONS PFAB200601, PFAB200602 AND PFAB200603.
- 4: ALL WELDERS ARE TO BE QUALIFIED ACCORDING TO AWS D1.1.
- 5: ALL WELDER CERTIFICATION RECORDS ARE TO BE DOCUMENTED, MAINTAINED AND AVAILABLE FOR INSPECTION/VERIFICATION.

DRAWN: LKD | DVLPED: PNL | DATE: 4/29/80 | REVIEWED:RDS DATE: 10/05/15 | APPRVD: AAT | DATE: 10/05/15 | NEXT REVIEW: 10/19 | REV: A



POWER
DISTRIBUTION
STANDARDS

3'-6" x 6'-10" SIDEWALK ROOF SLAB
WITH 28" ROUND COVER OPENING