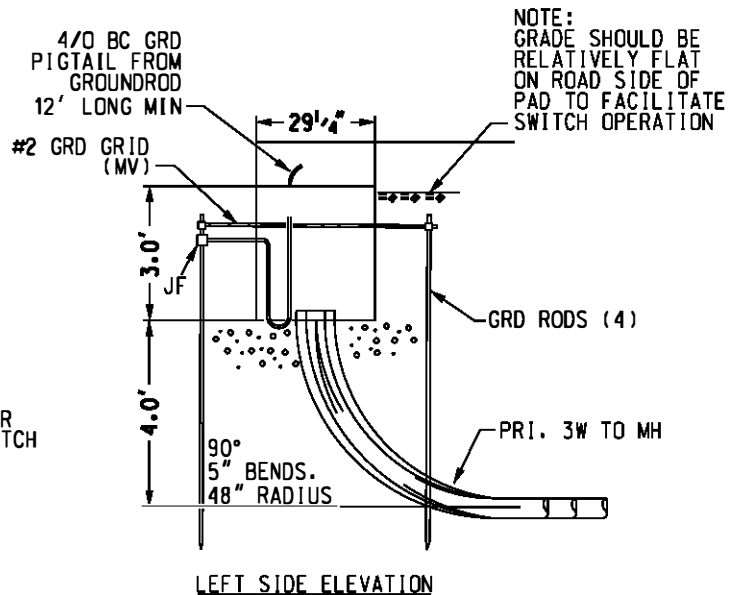


**TABLE 1**  
NUMBER OF DUCTS, DUCT SIZE & CONFIGURATION TO BE DETERMINED BY ENGINEER DEPENDING ON SWITCH LAYOUT

CABLE SIZE	DUCT SIZE
600 KCM	5 INCH
#2 AWG	4 INCH



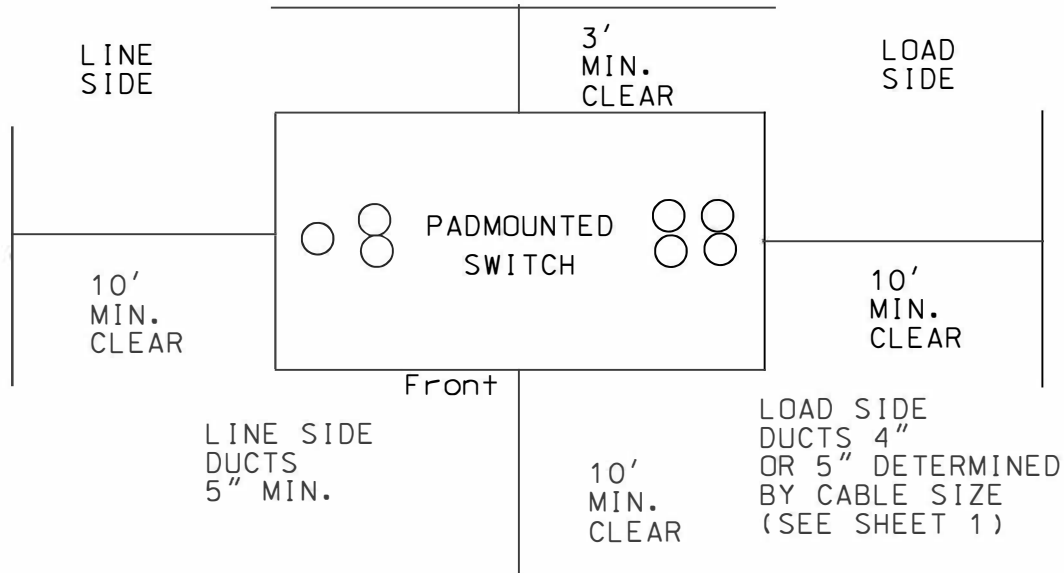
- NOTES:
- A. ALL DIRECT BURIED GROUND GRID WIRE TO GROUND ROD CONNECTIONS ARE TO BE BY WELDING OR BY COMPRESSION CONNECTORS.
  - B. REFER TO DWG. 1261 FOR DETAIL OF CONCRETE PRECAST BOX PAD.
  - C. REFER TO DWGS. 1255 & 1257; RESPECTIVELY, FOR DETAILS OF PADMOUNTED 3-WAY & 4-WAY GANG SWITCH INSTALLATION.
  - D. DUCTS ENTERING BOX PAD SHALL EXTEND APPROXIMATELY 3" ABOVE THE GRAVEL FOUNDATION INSIDE THE PAD FOR EASE IN TRAINING CABLE.
  - E. REV. C: UPDATE.

DRAWN: DPJ | DVLPE: AAT | DATE: 08/19/83 | REVIEWED: RDS | DATE: 10/05/15 | APPRVD: AAT | DATE: 10/05/15 | NEXT REVIEW: 10/19 | REV: C



POWER  
DISTRIBUTION  
STANDARDS

BOX PAD INSTALLATION FOR 13KV  
PADMOUNTED 3 OR 4-WAY GANG SWITCH



### MINIMUM CLEARANCES FOR PADMOUNTED SWITCH LAYOUT

#### ENGINEERING NOTES:

1. ENGINEER TO CALL FOR APPROPRIATE SIZE BENDS AT THE PAD ACCORDING TO CABLE SIZE.
2. DUCTS SHALL BE MINIMUM OF 7' DEEP WHEN ENTERING BOX PAD TO ALLOW FOR 48" RADIUS 90 DEGREE BENDS PLUS THE 3' BOX PAD HEIGHT.
3. DIRECTION AND ORIENTATION OF DUCTS ENTERING OR LEAVING PAD WILL VARY DEPENDING ON FIELD CONDITIONS.
4. REV. C: UPDATE.

COMPATIBLE UNIT BREAKDOWN FOR GANG SWITCH BOX PAD				
QUANTITY	ITEM	STOCK #	DESCRIPTION	UNIT
4	ES	9713-0112	ROD, CW, 5/8"X8' GRD	EA
1	JF	9717-1954	CRIMPIT, CU 250-250 TN	EA
25	MV	9711-3211	WIRE, CU, #2, SD	FT
12	MY	9711-3220	WIRE, CU, #4/0, SD TBC	FT
1	OS	9718-8033	BOX PAD, CONC. 85X29X36	EA
1400	TZ	9700-0044	GRAVEL, BLUE STONE	LB
4	TY	9717-2450	CRIMPIT, CU, 250 #2 TH	EA
CU DESIGNATION		DESCRIPTION		
GSBPMY		GANG SW BOX PAD ML CO		

DRAWN: DPJ | DVLPED: RWF | DATE: 08/19/83 | REVIEWED: RDS | DATE: 10/5/15 | APPRVD: AAT | DATE: 10/5/15 | NEXT REVIEW: 10/19 | REV: C



POWER  
DISTRIBUTION  
STANDARDS

BOX PAD INSTALLATION FOR 13KV  
PADMOUNTED 3 OR 4-WAY GANG SWITCH