

LINE SIDE

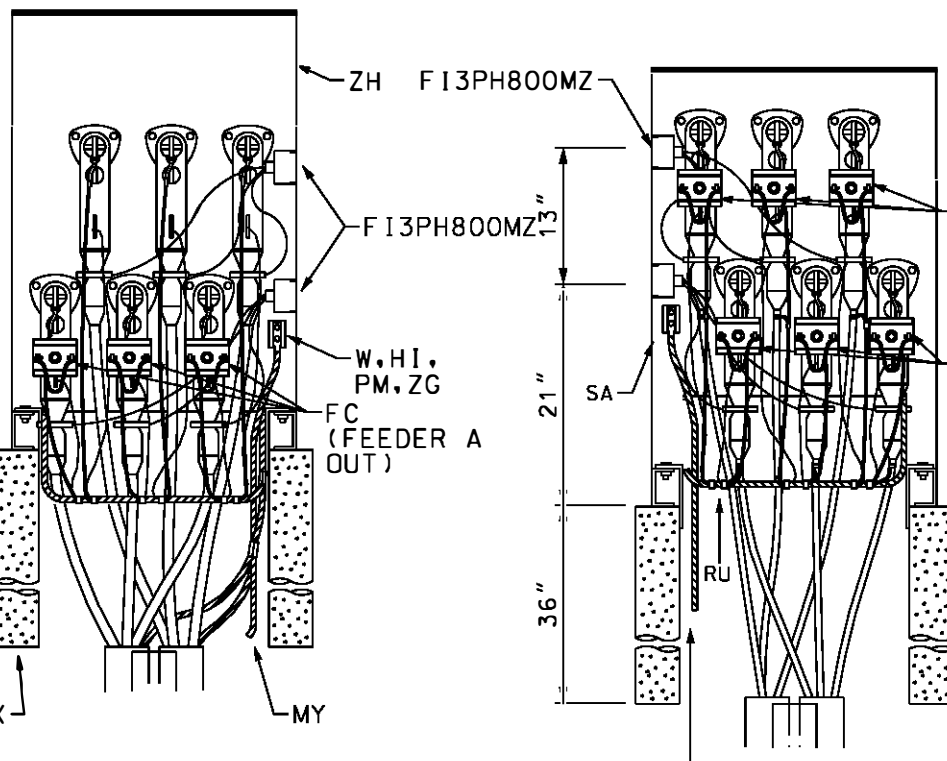
LOAD SIDE

600KCM IN  
600KCM OUT

TWO #2 TAPS

13"  
14"  
36"

21"  
36"



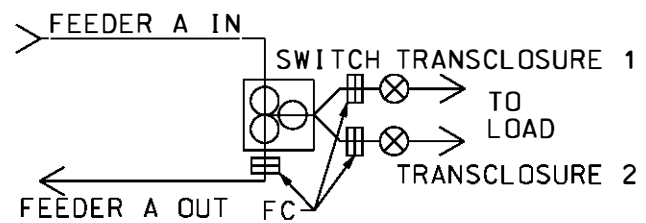
CONCRETE BOX PAD (GSBPMY)

FC (TO LOAD TRANSCLASURE 1)

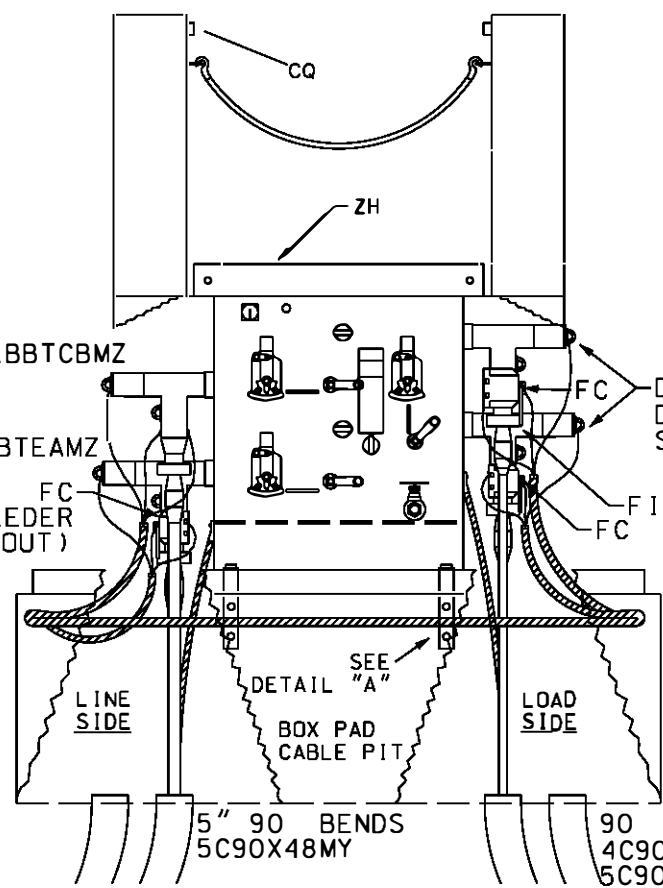
FC (TO LOAD TRANSCLASURE 2)

URD PRIMARY (3) LEGS TO EACH TRANSCLASURE

ATTACH TO GROUND ROD FROM EXTERNAL GROUND BUS



SCHEMATIC



NOTES:

- 1. INSTALLATION DETAILS FOR 600KCM IN, 600KCM OUT, TWO #2 TAPS C.U. MACRO - PMGS6622B

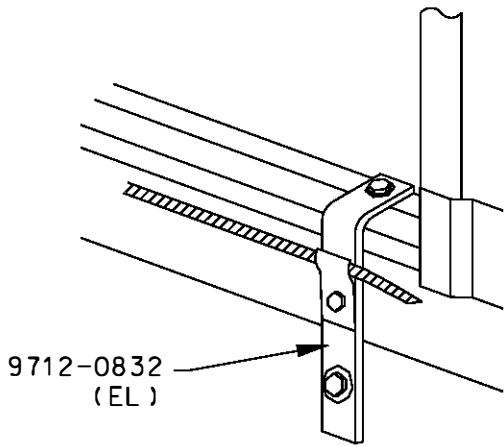
REV B: ADDITION OF FAULT CIRCUIT INDICATOR

DRAWN: KCW	DVLPED: RWF	DATE: 03/15/95	REVIEWED: RDS	DATE: 10/5/15	APPRVD: AAT	DATE: 10/5/15	NEXT REVIEW: 10/19	REV: B
------------	-------------	----------------	---------------	---------------	-------------	---------------	--------------------	--------

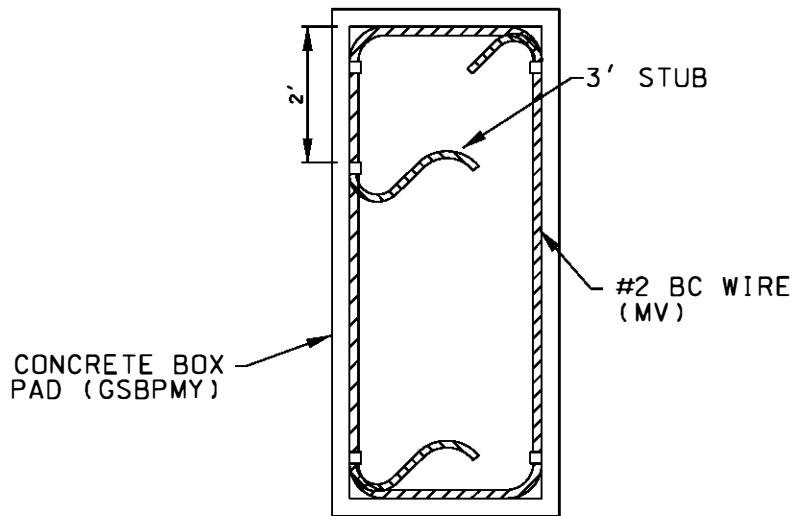


DISTRIBUTION STANDARDS

PADMOUNTED 3-WAY GANG SWITCH INSTALLATION 13KV

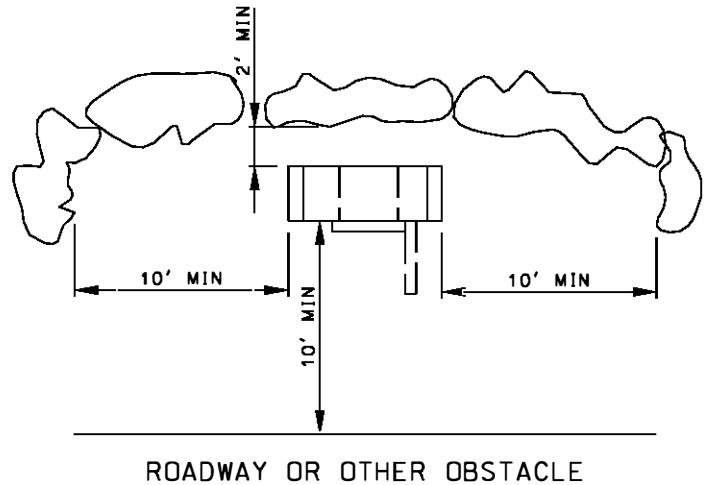
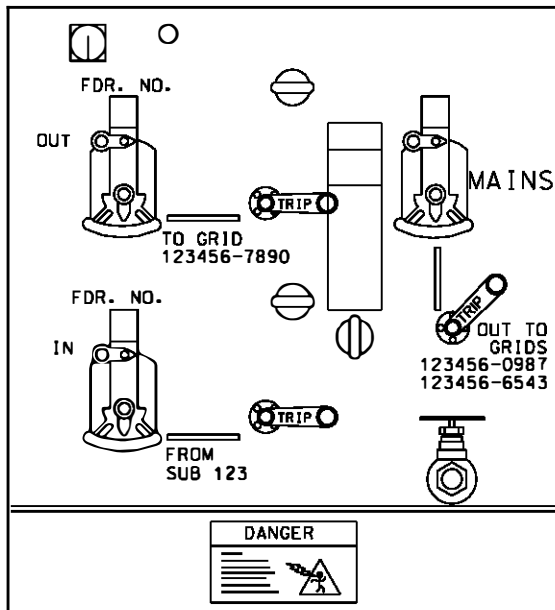


DETAIL "A"  
MOUNTING BRACKET  
INSTALLATION



DETAIL "B"  
GROUND BUS

LABELING  
DIAGRAM



1. USE WHITE LETTERS & NUMERALS AVAILABLE NON-STOCK FROM THE TOOL ROOM. USE 5/8" FOR GRID NO. LABELING AND USE 1" FOR ALL OTHER LABELING.

2. 10' MINIMUM CLEARANCE IS REQUIRED FROM SCREENING MATERIALS OR OTHER OBSTACLES ON THE FRONT AND ENDS OF THE SWITCH. 2' MINIMUM CLEARANCE IS REQUIRED ON THE REAR OF THE SWITCH. MINIMUM CLEARANCES ARE FROM THE EDGE OF MATURE PLANTS, NOT FROM THE STEM.

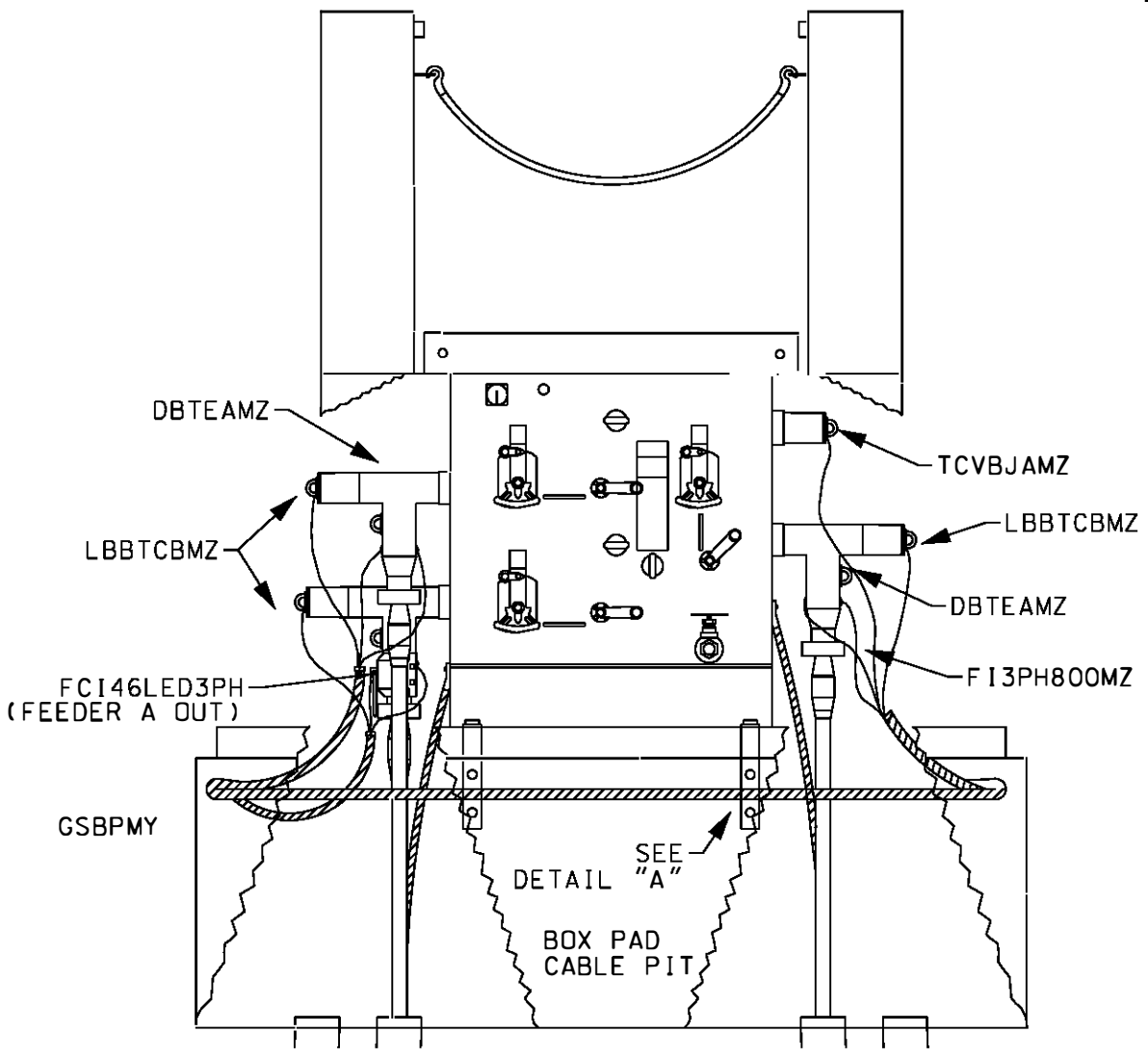
REV B: ADDITION OF FAULT CIRCUIT INDICATOR

DRAWN: KCW | DVL PED: RWF | DATE: 03/15/95 | REVIEWED: RDS | DATE: 10/5/15 | APPRVD: AAT | DATE: 10/5/15 | NEXT REVIEW: 10/19 | REV: B



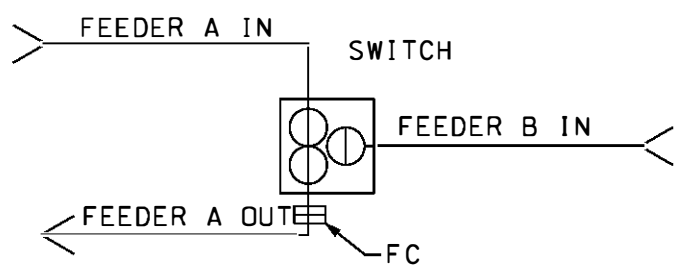
DISTRIBUTION  
STANDARDS

PADMOUNTED 3-WAY GANG  
SWITCH INSTALLATION 13KV



**NOTE:**

1. INSTALLATION DETAIL FOR 600KCM IN, 600KCM OUT, 600KCM TAP: TIE SWITCH C.U. MACRO - ~~PMG5666B~~



**SCHEMATIC**

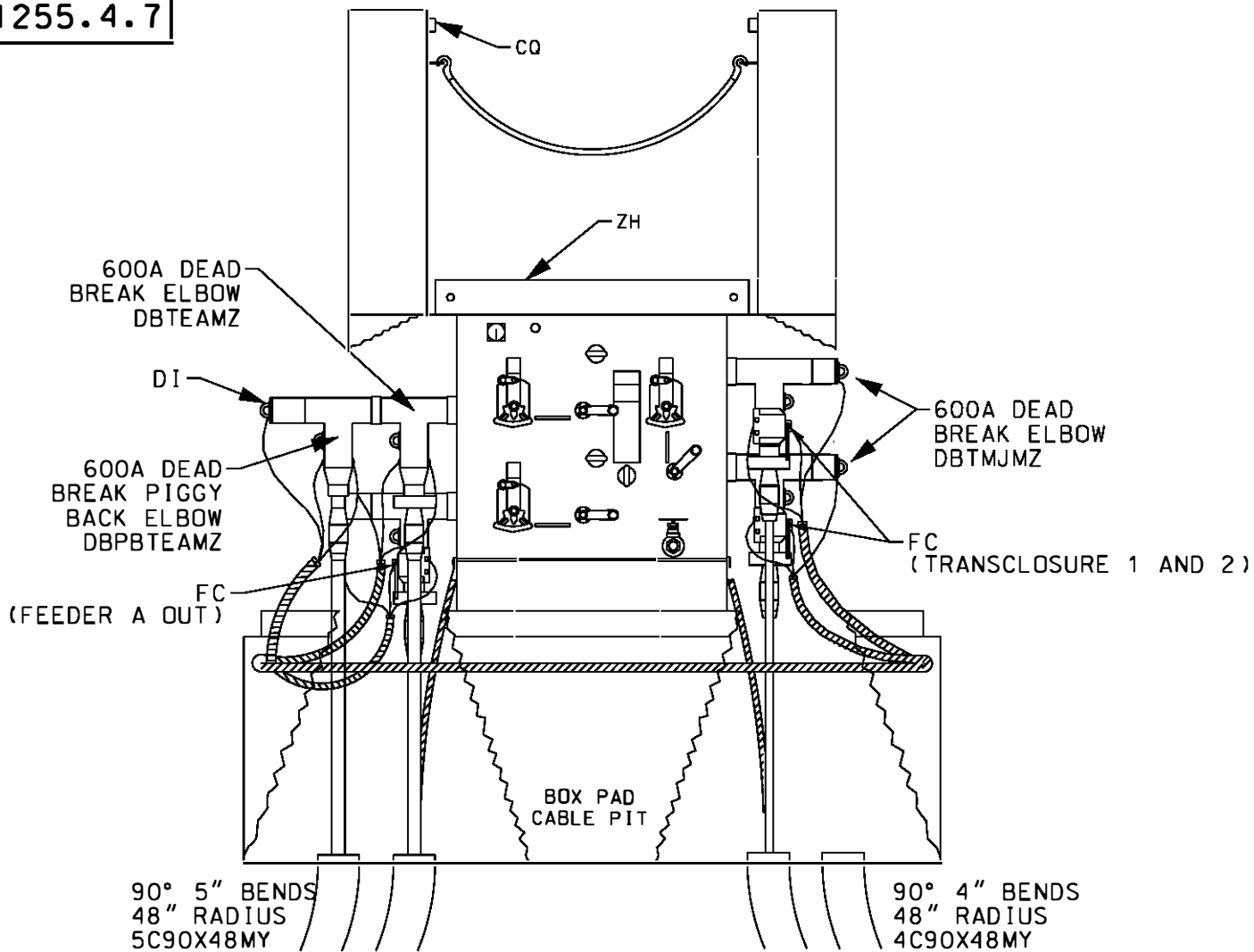
REV B: ADDITION OF FAULT CIRCUIT INDICATOR

DRAWN: KCW | DVL PED: RWF | DATE: 03/15/95 | REVIEWED: RDS | DATE: 10/05/15 | APPROVD: AAT | DATE: 10/05/15 | NEXT REVIEW: 10/19 | REV: B



**DISTRIBUTION  
STANDARDS**

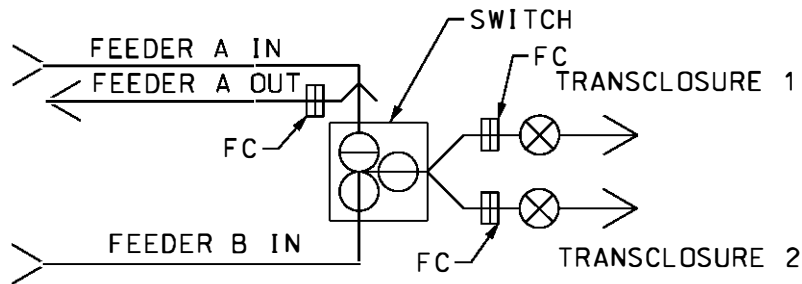
**PADMOUNTED 3-WAY GANG  
SWITCH INSTALLATION 13KV**



INSTALLATION DETAILS FOR 600KCM IN, 600KCM EMERGENCY FEEDER ON PIGGYBACK ELBOWS AT OPEN SWITCH POSITION, TWO 1/0 TAPS

**NOTE:**

1. INSTALLATION DETAILS FOR 600KCM IN, 600KCM EMERGENCY FEEDER ON PIGGYBACK ELBOWS AT OPEN SWITCH POSITION, TWO #2 TAPS.
2. A C.U. MACRO FOR THIS INSTALLATION DOES NOT EXIST DUE TO THE INFREQUENT USAGE. THIS ASSEMBLY CAN BE INSTALLED BY REQUESTING PMGS6622B AND 3 DBPBTEAMZ FOR THE EMERGENCY FEEDER.



**SCHEMATIC**

REV B: ADDITION OF FAULT CIRCUIT INDICATOR

DRAWN: KCW | DVLPED: RWF | DATE: 03/15/95 | REVIEWED: RDS | DATE: 10/05/15 | APPRVD: AAT | DATE: 10/05/15 | NEXT REVIEW: 10/19 | REV: B



**DISTRIBUTION  
STANDARDS**

**PADMOUNTED 3-WAY GANG  
SWITCH INSTALLATION 13KV**

INSTALLATION INSTRUCTIONS:

1. SET SWITCH ON BOX PAD AND SECURE TO PAD USING FOUR MOUNTING BRACKETS AS SHOWN IN DETAIL "A". REMOVE THE LIFTING LUGS AND SECURE THEM TO THE BOSSES PROVIDED ON THE INSIDE OF THE SWITCH OPERATOR DOORS.
2. FORM A GROUND BUS INSIDE THE BOX PAD AS SHOWN IN DETAIL "B" USING ONE PIECE OF #2 AWG BARE COPPER WIRE.
3. CONNECT THE INCOMING AND OUTGOING CABLES TO THE LINE SIDE OF THE SWITCH WITH 600A DEADBREAK TERMINATORS. INCOMING SHALL BE ON THE BOTTOM BUSHINGS AND OUTGOING ON THE TOP. SEE DWG 6-3-1372 FOR 600A DEADBREAK ELBOW TERMINATOR INSTALLATION DETAILS.
4. CONNECT THE LOAD SIDE CABLES IN THE SPECIFIED CONFIGURATION WITH 600A DEADBREAK ELBOW TERMINATORS. SEE DWG 4-3-1372 FOR 600A DEADBREAK TERMINATORS FOR 600KCM CABLE AND SEE DWG 4-3-1373 FOR 600A DEADBREAK TERMINATORS FOR #2 CABLES.
5. CONNECT ALL CONCENTRIC #2 NEUTRALS TO THE #2 GROUND BUS. CONNECT ALL TAPE SHEILD ADAPTERS TO THE GROUND BUS WITH #2 BARE COPPER WIRE. CONNECTIONS TO THE GROUND BUS SHALL BE MADE WITH #2 COOPER CRIMPITS.
6. CONNECT ALL 4/0 NEUTRALS AND FLAT STRAP NEUTRALS FROM LINE SIDE CABLES AND FROM LOAD SIDE CABLES TO THE SWITCH GROUND PADS.
7. CONNECT THE #2 GROUND BOS TO THE LOAD SIDE GROUND PAD WITH A ONE HOLE HYLUG.
8. INTERCONNECT ALL BONDS, GROUNDS AND NEUTRALS.
9. LABEL THE SWITCH OPERATORS WITH WHITE SELF ADHESIVE LETTERS AND NUMBERS AVAILIBLE NON-STOCK FROM THE TOOL ROOM. USE 5/8" FOR GRID NUMBER LABELING AND 1" FOR ALL OTHER LABELING. SEE LABELING DIAGRAM FOR DETAILS.
10. PLACE FEEDER NUMBER, VOLTAGE, IN FROM, OUT TO, ETC. TAGS ON ALL CABLES AS SHOWN IN THE CABLE IDENTIFICATION AND TAGGING PROCEDURES.
11. CLOSE THE SWITCH AND TERMINAL COMPARTMENT DOOR AND TIGHTEN THE PENTA HEAD BOLTS UNTIL THEY ARE FULLY SEATED. INSTALL PADLOCKS ON ALL THREE DOORS.
12. FOR FAULT CIRCUIT INDICATOR INSTALLATION. REFER TO DWG#1741.

REV B: ADDITION OF FAULT CIRCUIT INDICATOR

DRAWN: KCW | DVLPED: RWF | DATE: 03/15/95 | REVIEWED: RDS | DATE: 10/05/15 | APPRVD: AAT | DATE: 10/05/15 | NEXT REVIEW: 10/19 | REV: B



DISTRIBUTION  
STANDARDS

PAOMOUNTED 3-WAY GANG  
SWITCH INSTALLATION 13KV

ENGINEERING NOTES:

1. ENGINEER TO SPECIFY DUCT SIZE ACCORDING TO THE SIZE CABLE BEING USED ON THE PARTICULAR INSTALLATION. 5 INCH DUCT SHALL BE USED WITH 600KCM CABLE AND 4 INCH DUCT SHALL BE USED WITH 1/0 CABLE.
2. EACH SET OF BUSHINGS CAN CARRY TWO SETS OF CABLES BY USING PIGGY BACK ELBOWS (CU DBPBTEAMZ). THIS WILL ENABLE THE SWITCH TO SUPPLY A MAXIMUM OF THREE TRANCLOSURES ON THE LOAD SIDE OR HAVE AN EMERGENCY FEEDER BACK UP ON THE LINE SIDE.
3. THREE TRANCLOSURES CAN BE SUPPLIED FROM A PAD MOUNTED SWITCH BY USING THE PMGS6622 ASSEMBLY AND 3 DBPBTEAMZ COMPATIBLE UNITS.
4. AN EMERGENCY FEEDER CAN BE EMPLOYED TO PROVIDE BACK UP TO THE SWITCH BY USING THE PMGS6622B ASSEMBLY AND 3 DBPBTEAMZ COMPATIBLE UNITS.
5. THE SWITCH LOCATION SHALL BE CHOSEN TO ENSURE 2 FEET OF CLEARANCE BEHIND THE SWITCH AND 10 FEET OF CLEARANCE ON THE SIDES AND IN FRONT OF THE SWITCH. THIS PROVIDE THE CLEARANCE NECESSARY TO OPERATE THE SWITCH WITH HOT STICKS.
6. WHERE THE SWITCH IS AN OPEN POINT ON AN OVERHEAD SUPPLIED URD SYSTEM, THE LOAD BREAK BUSHING TEST CAPS (LBBTCBMZ) CAN BE REPLACED WITH ELBOW ARRESTERS (SWLABMZ) TO PROTECT THE CABLE AND EQUIPMENT FROM LIGHTNING STRIKE.
7. SEE DWG 4-3-1254 FOR THE SWITCH BOXPAD INSTALLATION DETAILS.

REV B: ADDITION OF FAULT CIRCUIT INDICATOR

DRAWN: KCW	DVLPED: RWF	DATE: 03/15/95	REVIEWED: RDS	DATE: 10/05/15	APPRVD: AAT	DATE: 10/05/15	NEXT REVIEW: 10/19	REV: B
------------	-------------	----------------	---------------	----------------	-------------	----------------	--------------------	--------



DISTRIBUTION  
STANDARDS

PAOMOUNTED 3-WAY GANG  
SWITCH INSTALLATION 13KV

PMGS666B	PMGS6622B	PMGS662B	<b>CU. MACRO BREAKDOWNS FOR PADMOUNTED GANG SWITCHES</b>		
QUANTITY			CU DESIG.	DESCRIPTION	REF DWG.
9	6	6	DBTEAMZ	DB TERM 500KCM 600A 13KV ML CA	1255
3	6	3	DBTLJAMZ	DB TERM 600A / #2 JKT 13KV ML CA	----
1	1	1	GSBPMY	GANG SW BOX PAD ML CO	1254
9	12	9	LBBTCBMZ	LB BUSH TEST CAP 8KV ML CA	1255
3		3	TCVBJAMZ	TEST CAP VBJ 600A 13KV ML CA	----
1	1	1	PMGSINSTMZ	PM GNG SW INSTALLATION ML CA	1255
1	3	1	FCI46LED3P	FAULT CIRCUIT INDICATOR W LED, 3PH	1741

## EA DESIGNATION:

PMGS662B - PM GNG SW 600RUN 200 TAP 8KV  
 PMGS6622B - PM GNG SW 600RUN 2-200TAP, 8KV  
 PMGS666B - PM GNG SW 600RUN 600TAP 8KV

FCI46LED3P	PMGSINSTMZ	<b>COMPATIBLE UNIT BREAKDOWN FOR PADMOUNTED GANG SWITCH</b>			
QTY	ITEMS	STOCK NO.	DESCRIPTION	IU	
3	CO	9739-0166	PADLOCK, BRZ	EA	
6	EL	9712-0832	BKT, G, ANGLE, PM SW	EA	
3	H	9725-2131	WASHER, BRZ, 1/2", RD	EA	
25	MV	9711-3211	WIRE, CU, #2, SD	FT	
1	PM	9717-2265	HYLUG CU, 4/0, 2HOLE	EA	
12	RJ	9717-2473	CRIMPIT, CU # 2	EA	
1	SA	9717-2113	HYLUG CU, #2, 1HOLE	EA	
6	VY	9717-2450	CRIMPIT, CU 2/0-250	EA	
3	W	9725-2136	WASHER, BRZ, 1/2", LOCK	EA	
3	ZG	9725-2133	BOLT, BR, 1/2" X 3/4"	EA	
1	ZH	9712-0756	SW, CL, 600A, 3WAY, PAD	EA	
1	FC	9712-0801	FAULT CIRCUIT INDICATOR W LED, 3PH	EA	

## CU DESIGNATION:

PMGSINSTMZ - PM GNG SW INSTALLATION ML CA  
 FCI46LED3PH - FAULT CIRCUIT INDICATOR W/ LED, 3PH

REV B: ADDITION OF FAULT CIRCUIT INDICATOR

DRAWN: KCW	DVLPED: RWF	DATE: 03/15/95	REVIEWED: RDS	DATE: 10/05/15	APPRVD: AAT	DATE: 10/05/15	NEXT REVIEW: 10/19	REV: B
------------	-------------	----------------	---------------	----------------	-------------	----------------	--------------------	--------



DISTRIBUTION  
STANDARDS

PADMOUNTED 3-WAY GANG  
SWITCH INSTALLATION 13KV