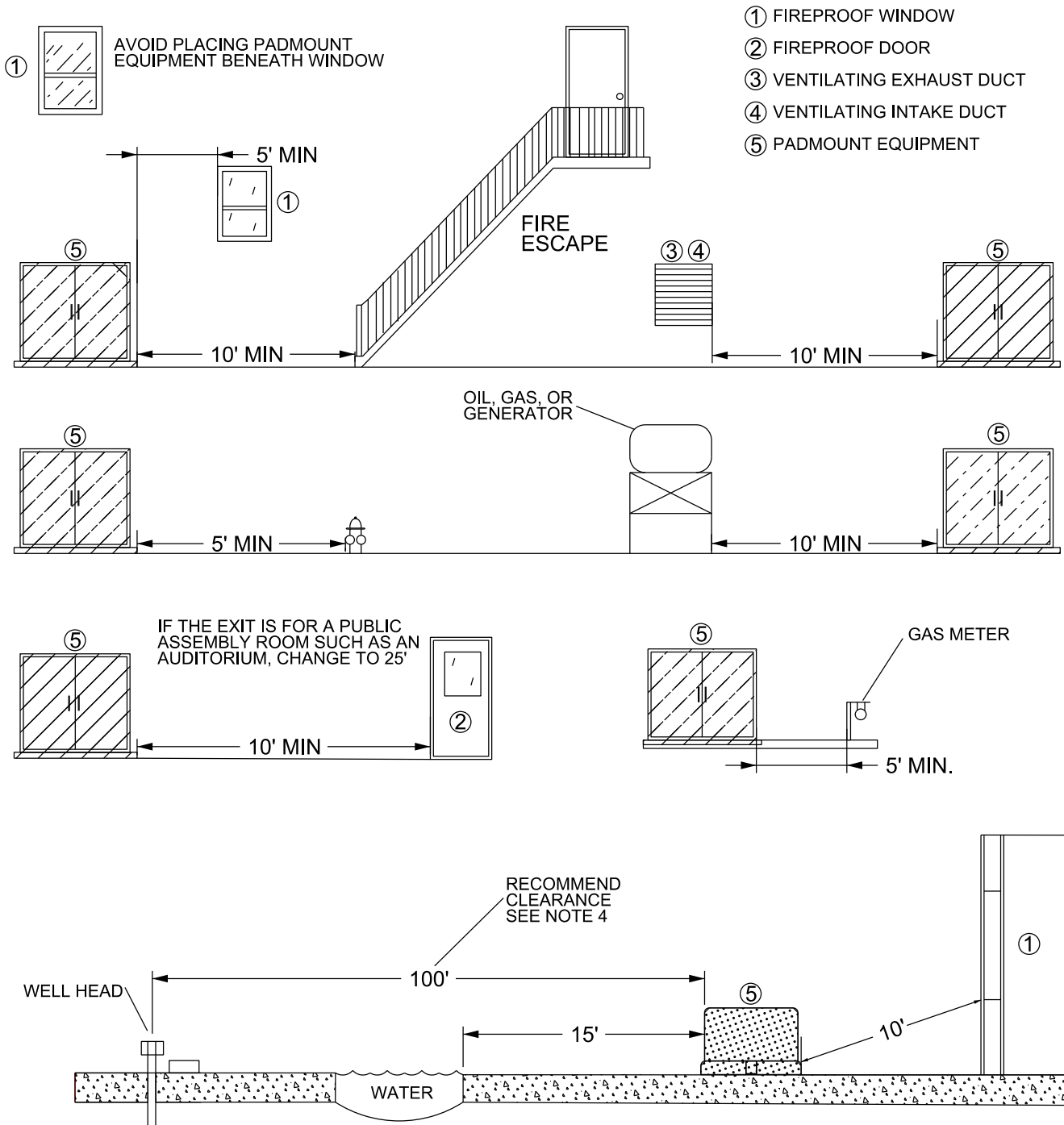


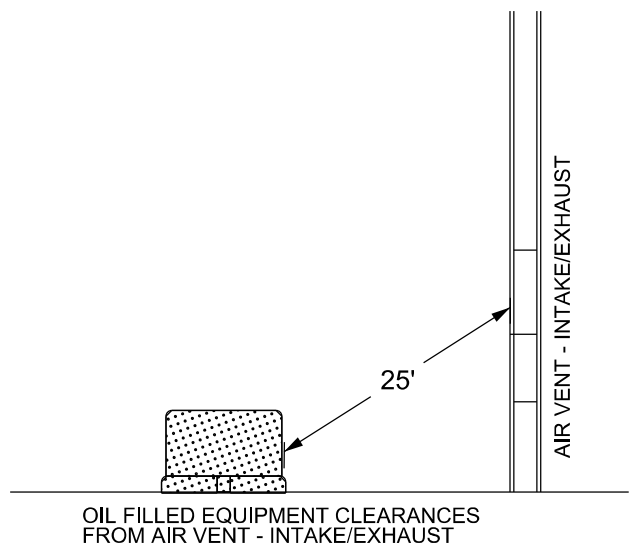
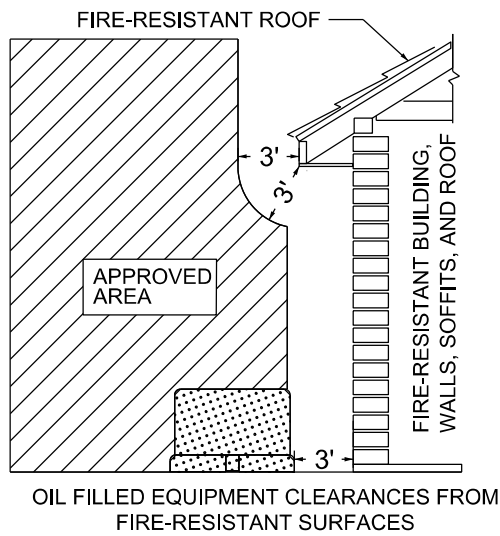
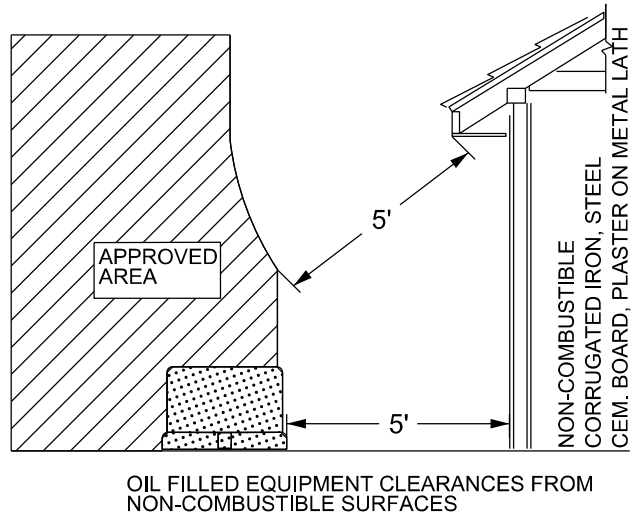
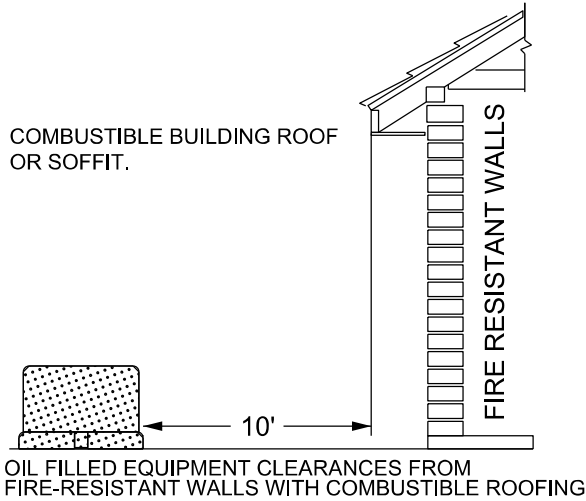
# CLEARANCES FOR PADMOUNT EQUIPMENT



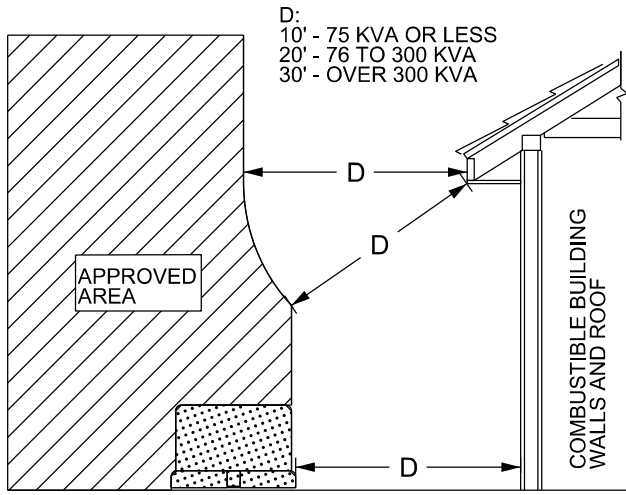
REV: 4 | DESCRIPTION: UPDATE TEMPLATE & TITLE CHANGE | ACE:  DPL:  PEPCO

DEVELOPED: RLH DATE: 7/16/12 | REVIEWED: AJD DATE: 3/25/20 | APPROVED: RJS DATE: 4/13/20

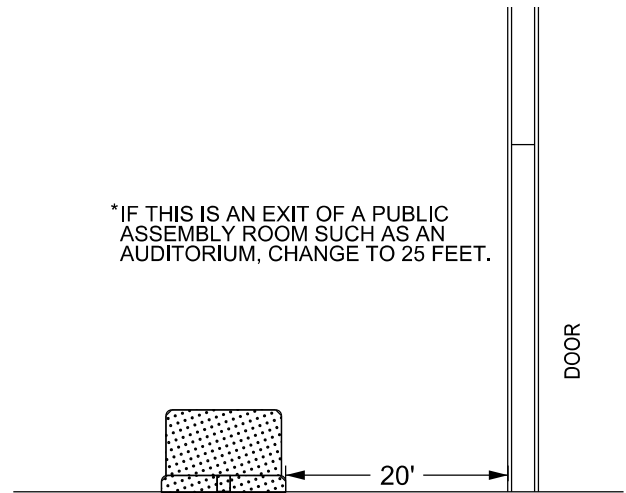
# CLEARANCES FOR PADMOUNT EQUIPMENT



# CLEARANCES FOR PADMOUNT EQUIPMENT

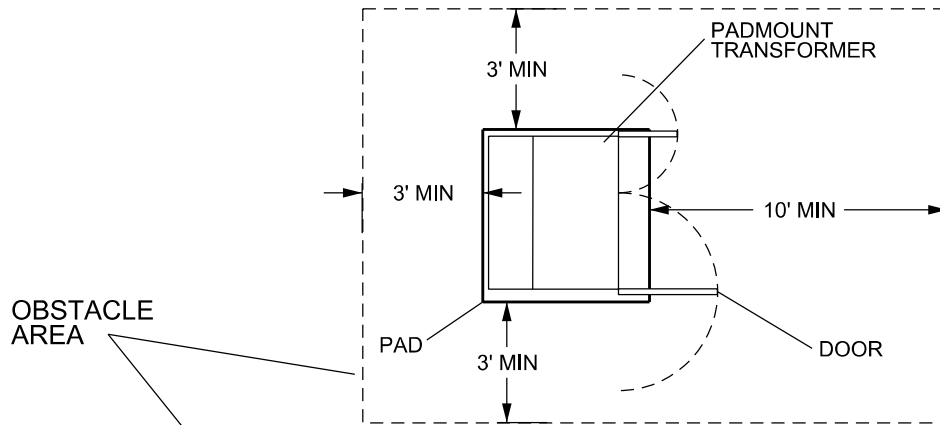


OIL FILLED EQUIPMENT CLEARANCES FROM COMBUSTIBLE SURFACES

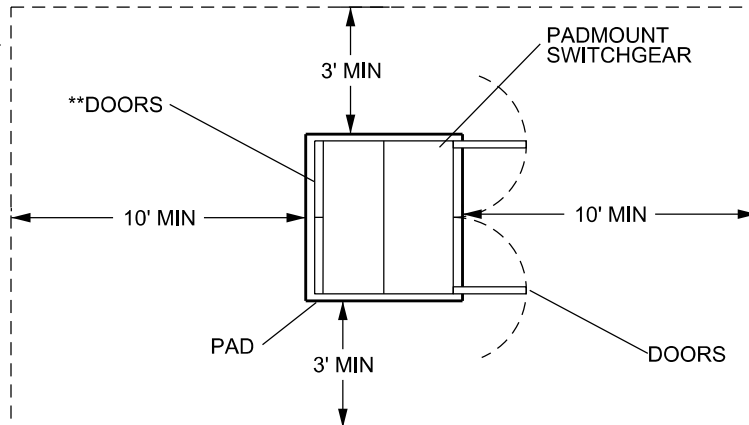


OIL FILLED EQUIPMENT CLEARANCES FROM DOOR

## MINIMUM CLEARANCES FROM ALL OBSTACLES

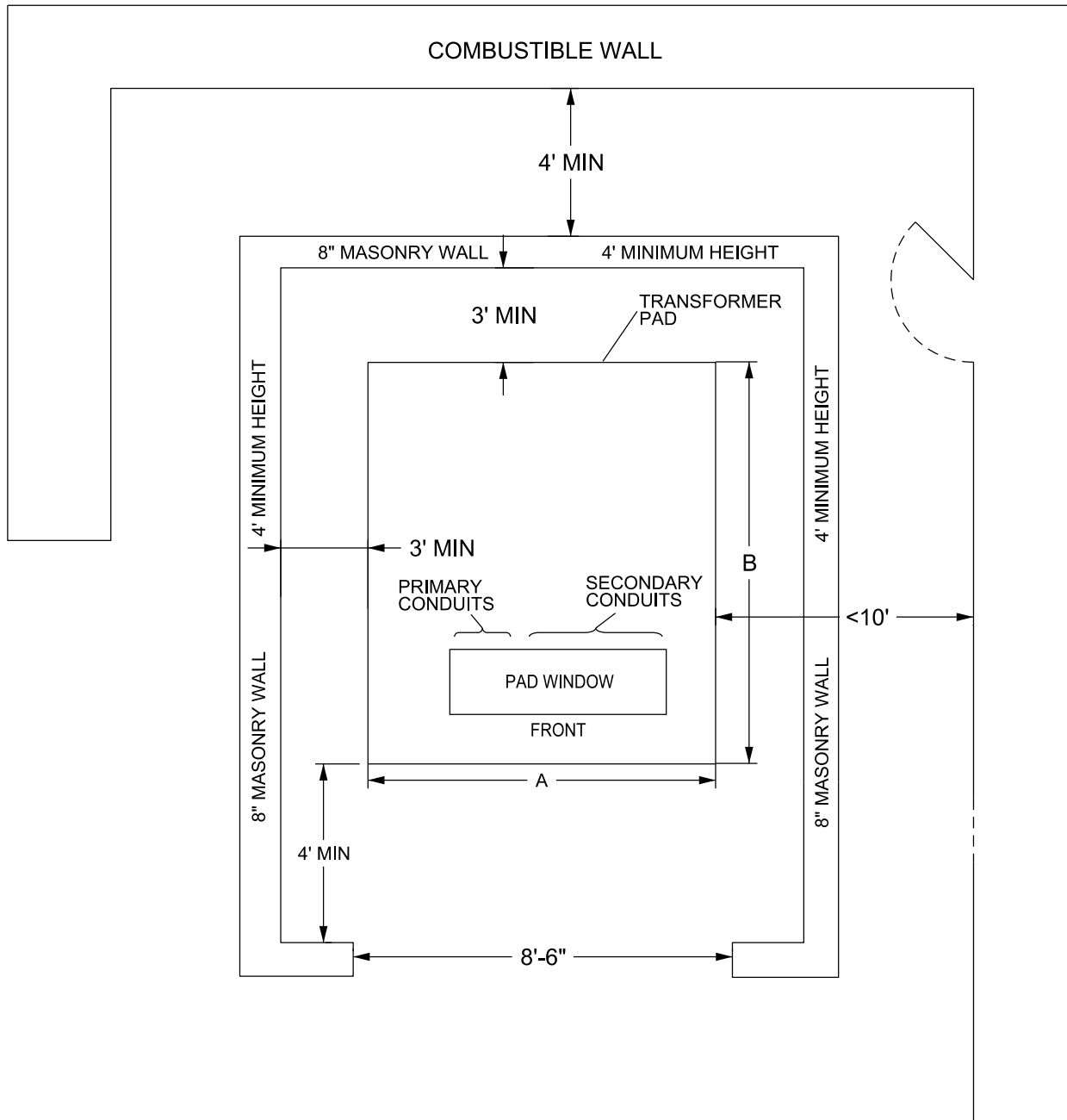


\*\*IF SWITCHGEAR ONLY HAS DOORS ON ONE SIDE, ONLY 3' CLEARANCE IS NEEDED



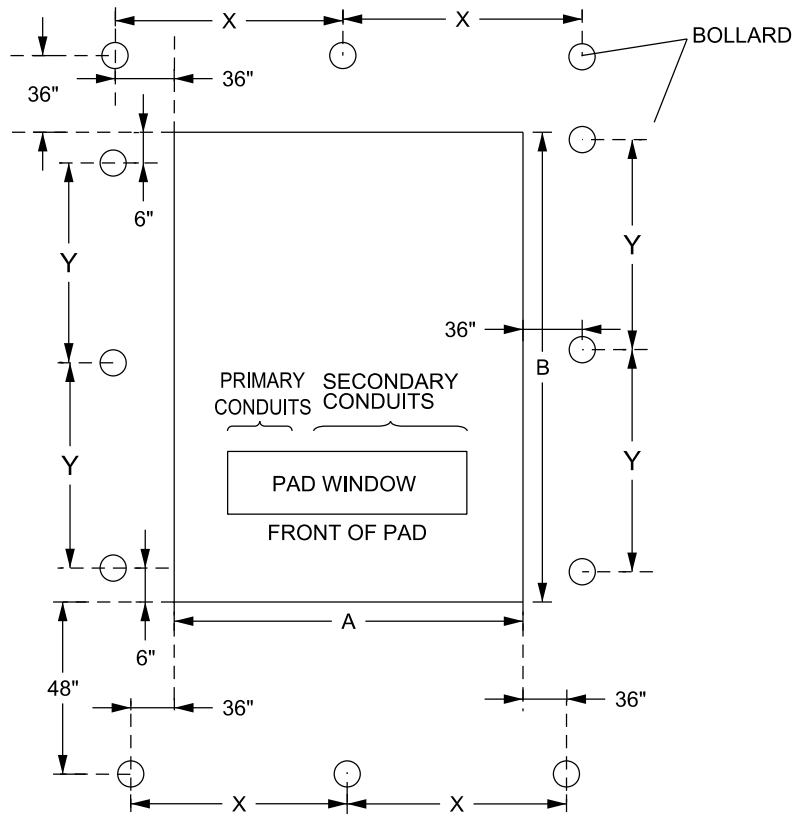
# CLEARANCES FOR PADMOUNT EQUIPMENT

## ALTERNATIVE CONSTRUCTION FOR 3 PHASE TRANSFORMER



# CLEARANCES FOR PADMOUNT EQUIPMENT

## TYPICAL BOLLARD PLACEMENT FOR TRANSFORMERS



SPACING BETWEEN BOLLARDS

$Y = (B - 12") / 2$

$X = (A + 72") / 2$

# CLEARANCES FOR PADMOUNT EQUIPMENT

## NOTES

- 1) ALL DIMENSIONS SHOWN ARE MINIMUMS. MINIMUM DISTANCE FOR SWITCHGEAR IS 5' ON THE SIDES.
- 2) ALL PADMOUNT EQUIPMENT MUST HAVE A MINIMUM OF 10' UNOBSTRUCTED AREA IN FRONT OF THE DOORS
- 3) THERE SHALL BE NO PIPING OR CONDUIT UNDER PAD OTHER THAN REQUIRED TO CONNECT TO EQUIPMENT.
- 4) 100' TO THE WELL HEAD IS THE PREFERRED PRACTICE, BUT NOT PRACTICAL IN ALL AREAS.
- 5) NO PORTION OF THE BUILDING SHALL EXTEND OVER ANY PADMOUNT EQUIPMENT.
- 6) IF MINIMUM CLEARANCES CAN NOT BE MET AN 8" THICK MASONARY WALL MUST BE CONSTRUCTED AND MAINTAINED BY THE CUSTOMER, IF THE PADMOUNT EQUIPMENT IS PLACED WITHIN PRIVATE SPACE. THE MASONARY WALL SHALL BE 1' HIGHER THAN THE PADMOUNT EQUIPMENT OR 4' MINIMUM, WHICH EVER IS TALLER.
- 7) ADEQUATE PASSAGEWAYS TO ACCOMMODATE TRUCKS OR OTHER NECESSARY LIFTING AND HAULING EQUIPMENT SHALL BE PROVIDED TO ALLOW FOR EQUIPMENT REPLACEMENT.
- 8) BOLLARDS MAY BE REQUIRED IF PADMOUNT EQUIPMENT WILL BE EXPOSED TO TRAFFIC. BOLLARDS MUST BE INSTALLED AT ABOUT 3' FROM PADMOUNT EQUIPMENT TO MAINTAIN ACCESS DOOR CLEARANCE.
- 9) BARRIERS CONSTRUCTED BY CUSTOMER FOR APPEARANCE OR FOR CLOSER POSITIONING OF PADMOUNT EQUIPMENT SHOULD BE AT LEAST 1 FOOT HIGHER THAN OIL FILLED EQUIPMENT.
- 10) ENCLOSED BARRIERS OR GATES, IF LOCKED, SHOULD BE ACCESSIBLE AT ALL TIMES WITH KEY FURNISHED TO PHI, OR WITH AN ON SITE KEY LOCATED IN A LOCK BOX LOCKED BY PHI.
- 11) A MINIMUM CLEARANCE OF 10 FEET OF CLEAR, LEVEL WORKING SPACE IS REQUIRED IN FRONT OF PADMOUNT EQUIPMENT TO ALLOW USE OF HOT STICKS. LANDSCAPING, FENCING, TREES, AND OTHER OBSTRUCTIONS MUST NOT ENCROACH ON THESE CLEARANCES TO MAINTAIN 24/7/365 ACCESS.
- 12) BOLLARDS MAY BE REQUIRED IF OIL FILLED EQUIPMENT WILL BE EXPOSED TO TRAFFIC. BOLLARDS MUST BE INSTALLED AT ABOUT 3' FROM OIL FILLED EQUIPMENT TO MAINTAIN ACCESS DOOR CLEARANCE.