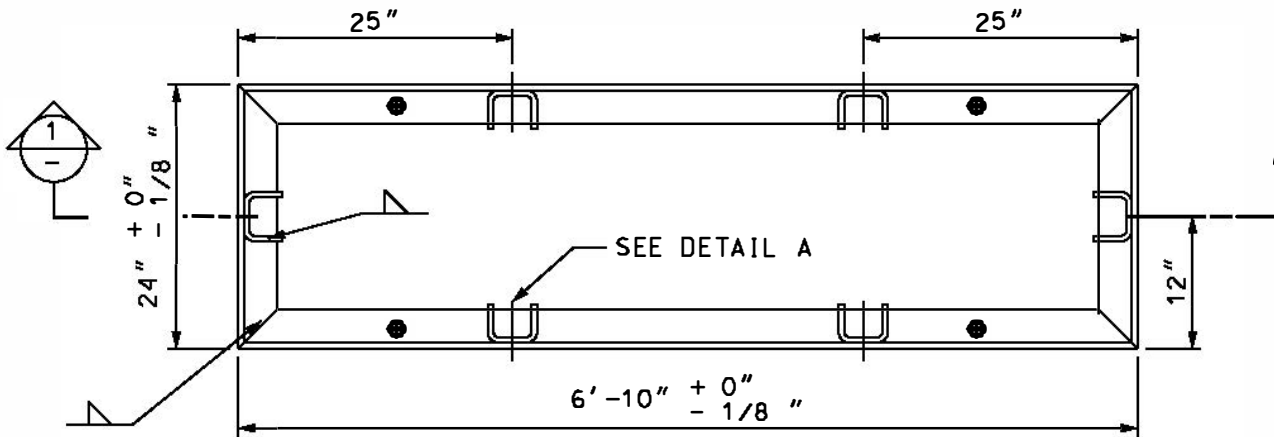
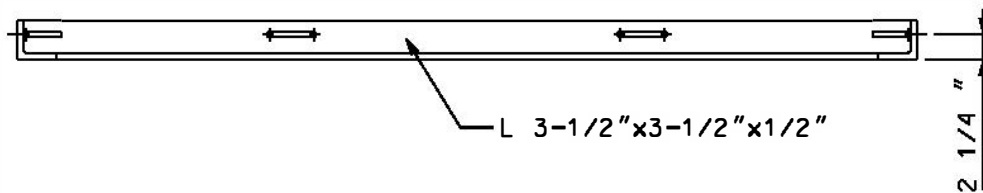


2'-0" x 6'-10" FLUSH TYPE ROOF
FRAME FOR SIDEWALK MANHOLES



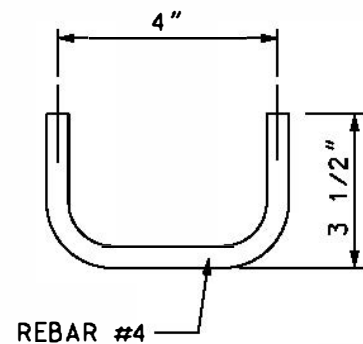
PLAN OF THE FRAME STOCK NO. 9721-0634 (0001655718)



SECTION 1

NOTE:

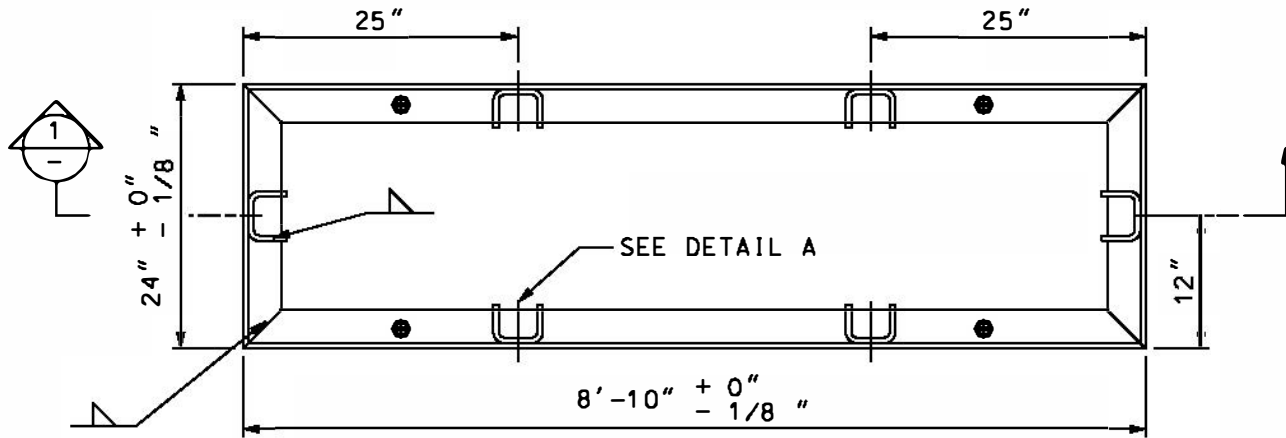
1. REV A: CHANGED DWG FORMAT.
2. FRAME NOTES: SEE PAGE 8
3. REV B: CHANGED DWG FORMAT, STOCK NUMBERS, DWG NUMBERS
4. WELDING SPECIFICATIONS: SEE PAGE 9
5. REV C: CHANGED DRAWING FORMAT AND ADDED CAT IDs.
6. FORMERLY STANDARD DRAWING NO. 1177.



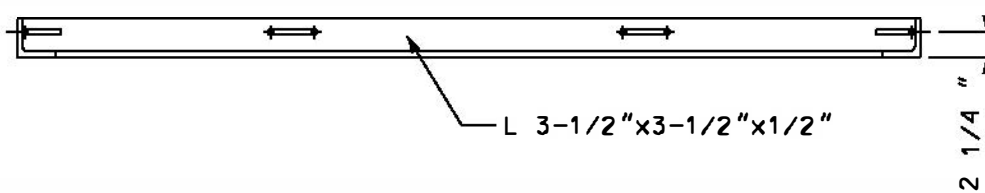
DETAIL A
1" = 5"

REV: C	DESCRIPTION: 2' ROOF SLABS & PANELS	ACE: <input type="checkbox"/>	DPL: <input type="checkbox"/>	PEPCO: <input checked="" type="checkbox"/>
DEVELOPED: CER	DATE: 2/10/82	REVIEWED: RLH	DATE: 05/22/19	APPROVED: RJS
			DATE: 05/22/19	

2'-0" x 8'-10" FLUSH TYPE ROOF
FRAME FOR SIDEWALK MANHOLES



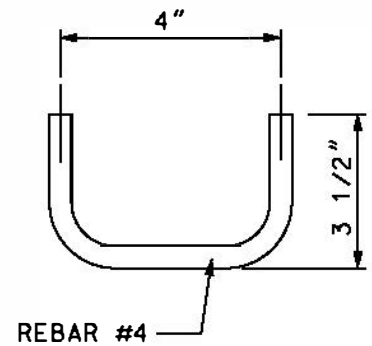
PLAN OF THE FRAME STOCK NO. 9721-0253 (0001655674)



SECTION 1

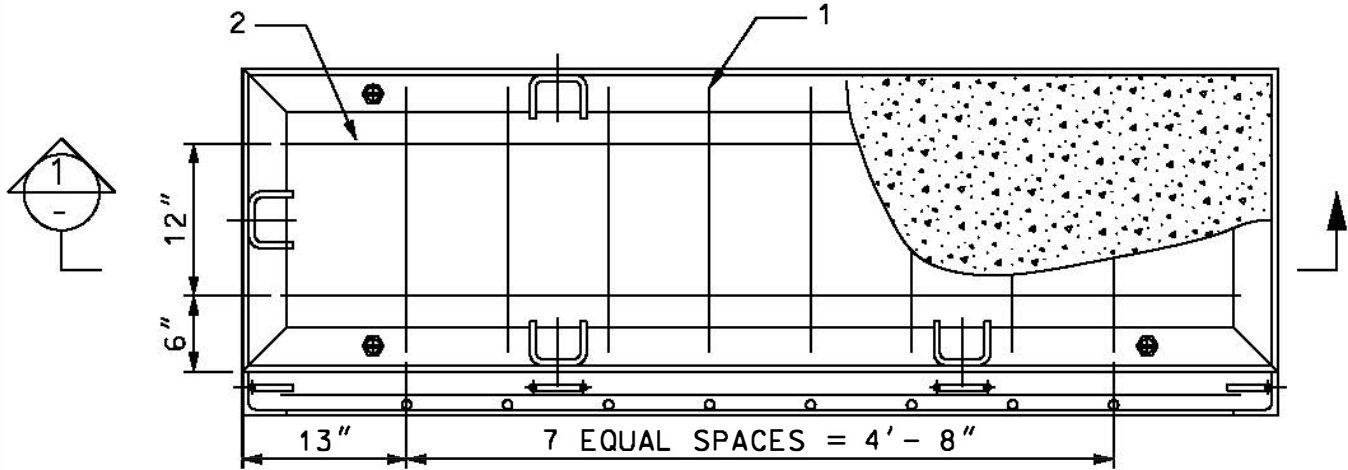
NOTE:

1. FRAME NOTES: SEE PAGE 8.
2. WELDING SPECIFICATIONS: SEE PAGE 9.
3. SPECIAL USE ONLY.

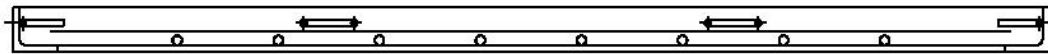


DETAIL A
1" = 5"

2'-0" x 6'-10" FLUSH TYPE ROOF
SLABS FOR SIDEWALK MANHOLES



PLAN OF THE SLAB: MHR572SMY STOCK NO. 9721-0648(0001655730)



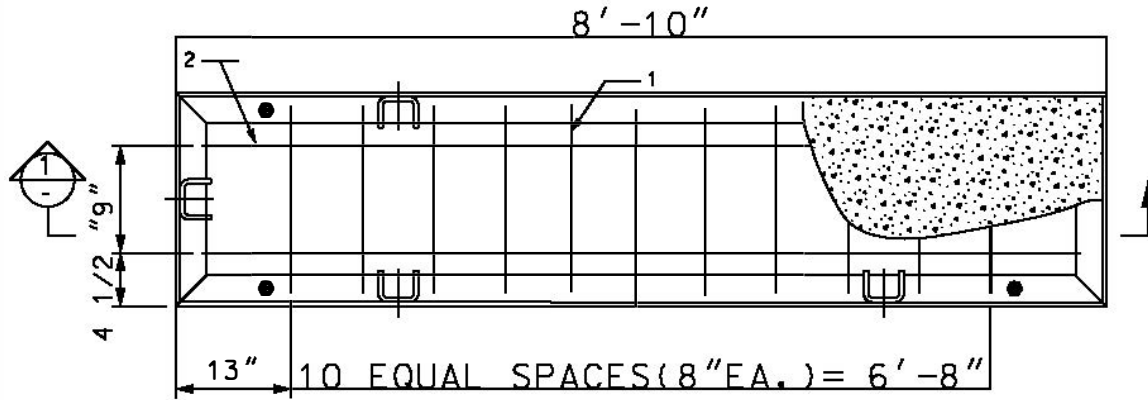
SECTION 1

SIDEWALK SLAB NOTES:

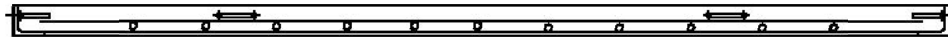
- 1: THE REBAR SHALL BE INSTALLED INTO THE FRAME AS SHOWN.
- 2: CONCRETE SHALL THEN BE TROWL FINISHED FLUSH WITH THE TOP EDGE FRAME.
- 3: SIDEWALK SLAB WEIGHT = 850 LBS
- 4: 4 CU.F.T OF 4,000 PSI CONCRETE.

ROD NO	1	2
QUANTITY	8	2
SIZE	#3	#3
LENGTH	1'-9"	6'-4"

2'-0" x 8'-10" FLUSH TYPE ROOF
SLAB FOR SIDEWALK MANHOLES



PLAN OF THE SLAB: MHRS92SMY STOCK NO. 9721-0257 (0001655678)



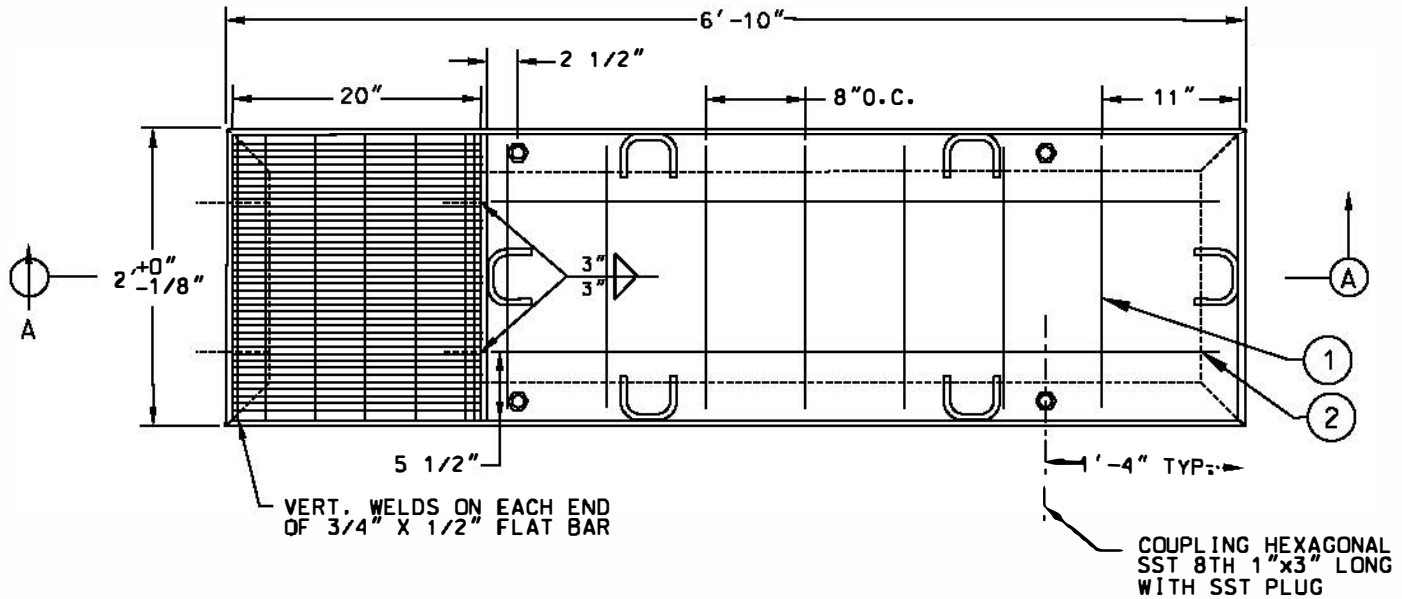
SECTION ①

SIDEWALK SLAB NOTES:

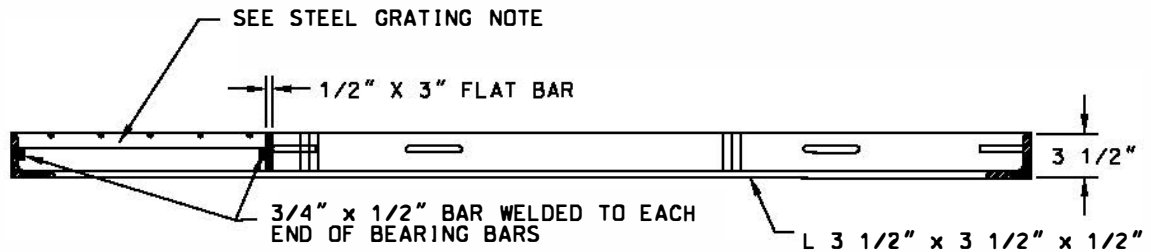
- 1: THE REBAR SHALL BE INSTALLED INTO THE FRAME AS SHOWN.
- 2: CONCRETE SHALL THEN BE TROWL FINISHED FLUSH WITH THE TOP EDGE FRAME.
- 3: SIDEWALK SLAB WEIGHT = APPRX. 1092 LBS
- 4: APPRX. 5 CU.FT. OF 4,000 PSI CONCRETE
- 5: SPECIAL USE ONLY.

ROD NO	1	2
QUANTITY	11	2
SIZE	#3	#3
LENGTH	1'-9"	8'-4"

2'-0" x 6'-10" FLUSH TYPE ROOF
HYBRID SLAB FOR SIDEWALK MANHOLES



PLAN OF GRATED SLAB: MHRSHY72SMY CAT ID 0001668075



SECTION VIEW

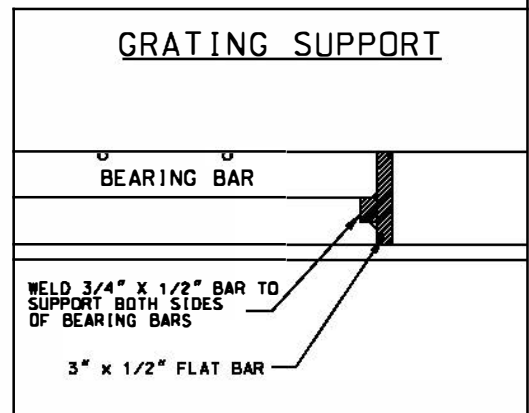
STEEL GRATING NOTE:
1-1/2" X 3/16" BEARING BAR
ON 9/16" CC; X-BARS 4" CC
W/ MEBAC #3 SURFACE

NOTES:

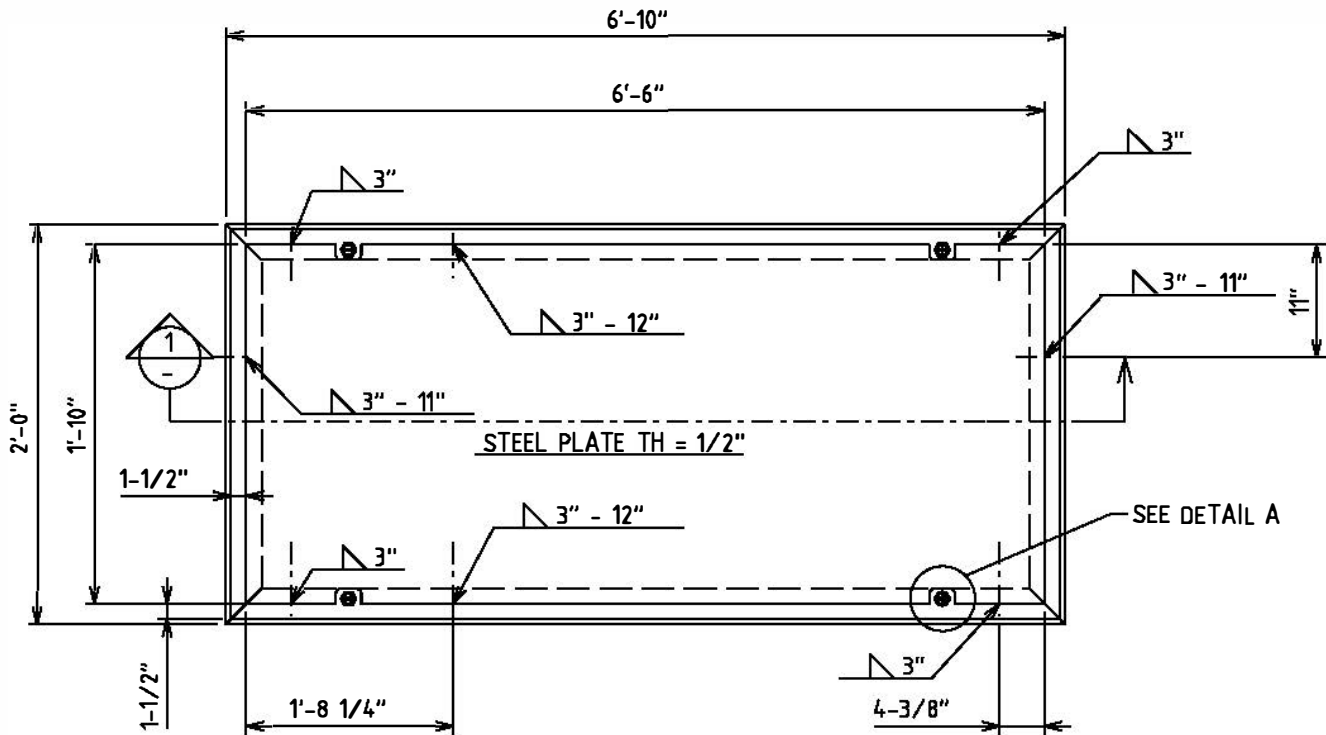
1. INSTALL REBAR INTO FRAME AS SHOWN.
2. 3.01 CU FT OF 4,500 PSI CONCRETE
3. SIDEWALK SLAB WEIGHT: 730 LBS
4. CONCRETE SHALL BE TROWL FINISHED FLUSH WITH THE TOP FRAME EDGE.
5. GRATING AREA TO BE TREATED WITH NON-SLIP FINISH (MEBAC OR EQUIVALENT).
6. ALL SHOP WORK SHALL BE MADE BEFORE GALVANIZING.

BAR SCHEDULE

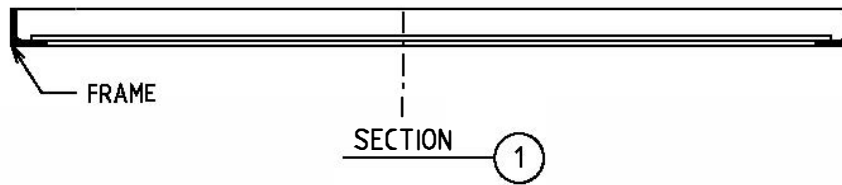
BAR NO.	1	2
SIZE	#3	#3
QTY.	7	2
LENGTH	1'-9"	4'-9" 1/2"



2'-0" x 6'-10" FLUSH TYPE ROOF
SLAB PAN FOR SIDEWALK MANHOLES

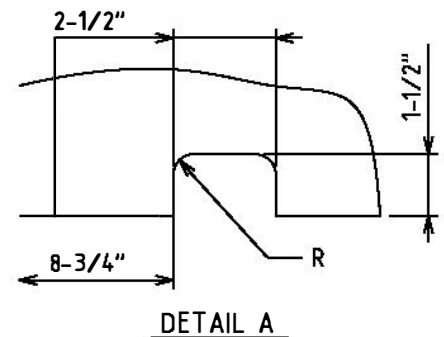


PLAN OF THE SLAB PAN: MHRP72SMY: STOCK NO. 9721-0214 (0001655660)

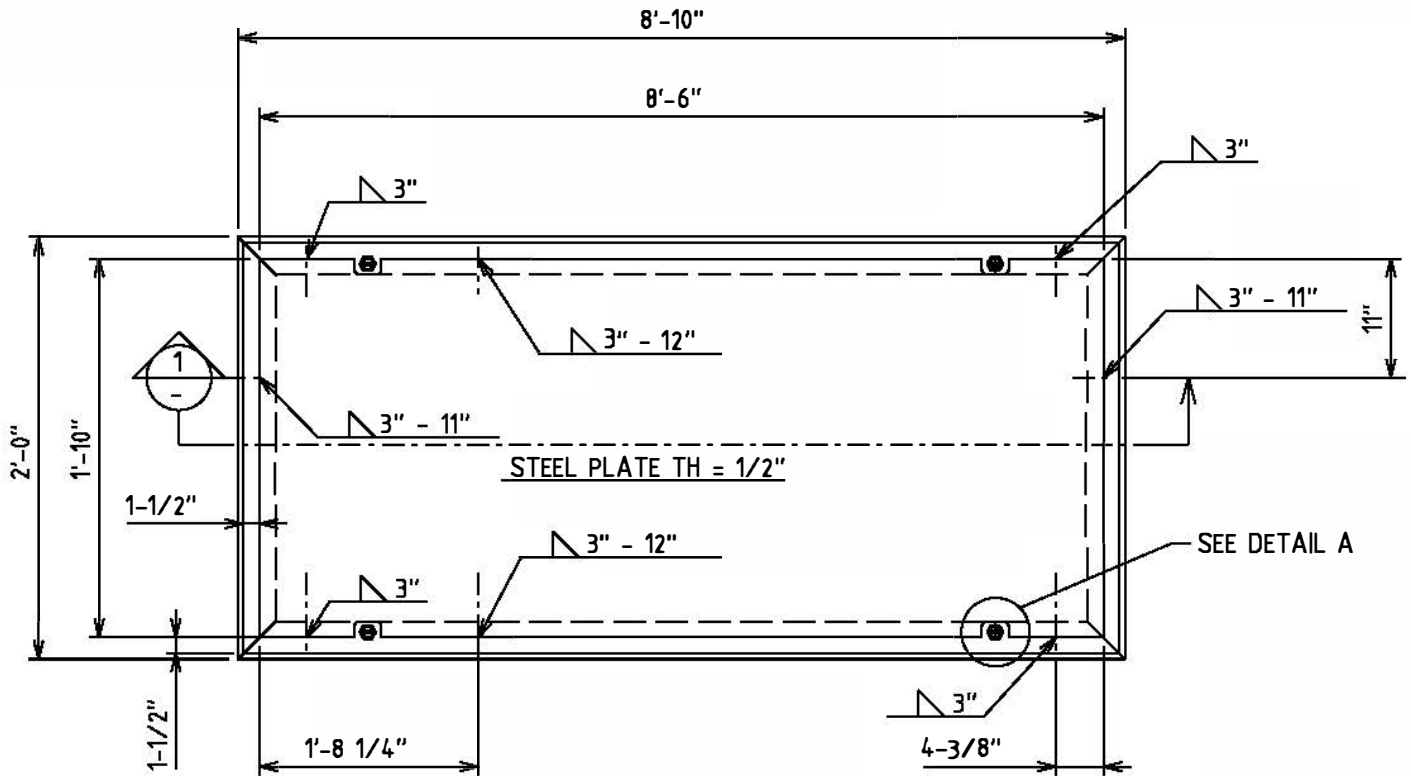


SIDEWALK SLAB NOTES:

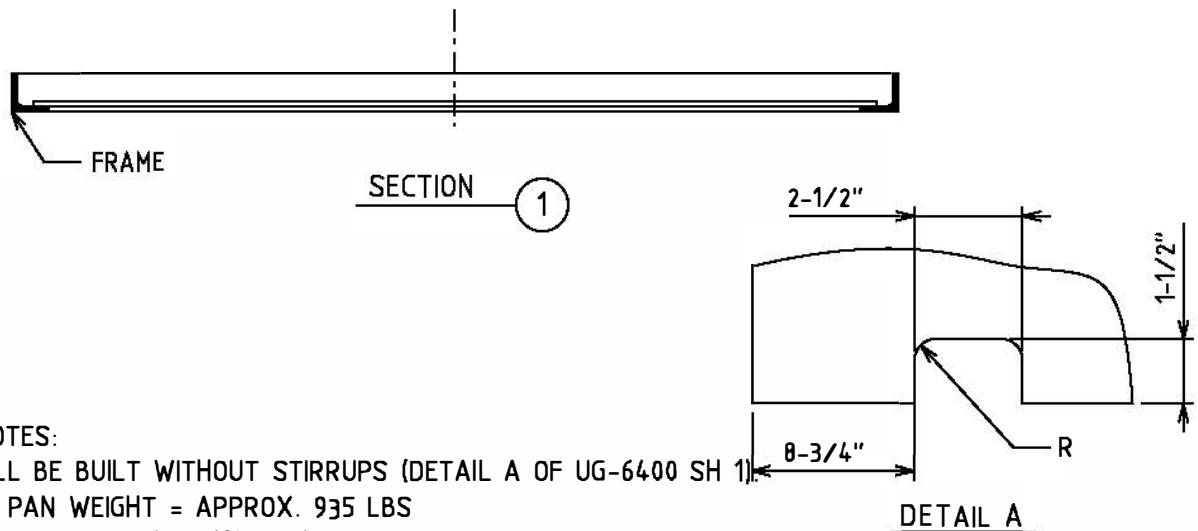
1. THE FRAME SHALL BE BUILT WITHOUT STIRRUPS (DETAIL A OF UG-6400 SH 1).
2. SIDEWALK SLAB PAN WEIGHT = 727 LBS (FRAME 246 LBS + STEEL PLATE 481 LBS)
3. THE STEEL PLATE SHALL BE NOTCHED AND WELDED TO THE FRAME BEFORE GALVANIZING.
4. WELDING SPECIFICATIONS: SEE PAGE 9.



2'-0" x 8'-10" FLUSH TYPE ROOF
SLAB PAN FOR SIDEWALK MANHOLES



PLAN OF THE SLAB PAN: MHRP92SMY: STOCK NO. 9721-0255 (0001655676)



SIDEWALK SLAB NOTES:

1. THE FRAME SHALL BE BUILT WITHOUT STIRRUPS (DETAIL A OF UG-6400 SH 1)
2. SIDEWALK SLAB PAN WEIGHT = APPROX. 935 LBS
(FRAME 316 LBS + STEEL PLATE 619 LBS)
3. THE STEEL PLATE SHALL BE NOTCHED AND WELDED TO THE FRAME BEFORE GALVANIZING.
4. WELDING SPECIFICATIONS: SEE PAGE 9
5. SPECIAL USE ONLY.

FLUSH TYPE ROOF SLAB FRAMES FOR SIDEWALK MANHOLES

FRAME NOTES:

1. MITER AND WELD ALL CORNERS AT 90 DEGREES AND GRIND OFF ANY HIGH SPOTS ON THE FLANGE SURFACES TO ALLOW PROPER SEATING OF FRAME.
2. FINISHED FRAME IS TO HAVE ALL CORNERS ON THE SAME PLANE AND IS NOT TO BE TWISTED OR BENT.
3. FRAME TO BE GALVANIZED AFTER SHOP WORK AND SHALL CONFORM TO A.S.T.M SPECIFICATION A-123 WITH LATEST REVISIONS THEREOF.
4. FRAMES SHALL BE LIMITED TO SIDEWALK USE WITH MAXIMUM CLEAR SPAN BETWEEN SUPPORTS OF 6'-4" & 8'-4"; RESPECTIVELY.

COMPATIBLE UNIT					
2' - 0" X 6' - 10" SLAB FOR SIDEWALK MANHOLES					
QUANTITY	ITEM	STOCK #	CAT ID	DESCRIPTION	EA
17'-8"				CORNER L 3-1/2"X3-1/2"X1/2"H	
7'-9"		NON-STOCK	N/A	REBAR SIZE #4	
26'-8"		NON-STOCK	N/A	REBAR SIZE #3	
		DESIGNATION	DESCRIPTION	STOCK NO.	CAT ID
		MHRS72SMY	SLAB 7X2 SDWK ROOF	9721-0648	0001655730

COMPATIBLE UNIT					
2' - 0" X 8' - 10" SLAB FOR SIDEWALK MANHOLES					
QUANTITY	ITEM	STOCK #	CAT ID	DESCRIPTION	EA
21'-8"				CORNER L 3-1/2"X3-1/2"X1/2"H	
7'-9"		NON-STOCK	N/A	REBAR SIZE #4	
30'-8"		NON-STOCK	N/A	REBAR SIZE #3	
		DESIGNATION	DESCRIPTION	STOCK NO.	CAT ID
		MHRS92SMY	SLAB 9X2 SDWK ROOF	9721-0257	0001655678

FLUSH TYPE ROOF SLABS
FOR SIDEWALK MANHOLES

WELDING SPECIFICATIONS

1. ALL STRUCTURAL STEEL SHALL CONFORM TO ASTM A36.
2. ALL STEEL IS TO BE WELDED IN ACCORDANCE WITH AWS D1.1 USING EITHER THE SMAW PROCESS (AWS SPEC. A5.1) OR THE FCAW PROCESS (AWS SPEC. A5.20 OR A5.29).
3. ALL WELDING IS TO BE PERFORMED ACCORDING TO WELDING PROCEDURE SPECIFICATIONS PFAB200601, PFAB200602 AND PFAB200603.
4. ALL WELDERS ARE TO BE QUALIFIED ACCORDING TO AWS D1.1.
5. ALL WELDER CERTIFICATION RECORDS ARE TO BE DOCUMENTED, MAINTAINED AND AVAILABLE FOR INSPECTION/VERIFICATION.